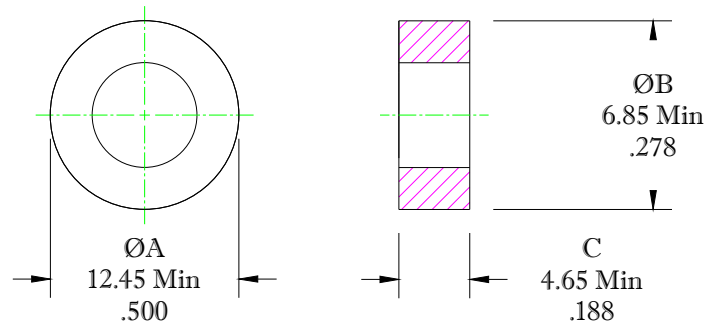


** Not all features are shown in this drawing. For more detailed information, please contact your Fair-Rite representative.

UNCONTROLLED ~CATALOG~ DRAWING

SIZE	PART NO.	REV.
B	5980000301	~




DIMENSIONS
BOLD DIMENSIONS ARE IN MILLIMETERS
 LIGHT DIMENSIONS ARE IN INCHES.

ELECTRICAL SPECIFICATIONS						
$\Sigma l/A(\text{mm}^2)$	$l_e(\text{mm})$	$A_e(\text{mm}^2)$	$V_e(\text{mm}^3)$	$L_o(\text{nH})$	$A_L(\text{nH})$ @10 kHz <10gauss	$\tan \delta/\mu$ i @100 kHz 1gauss
2.214	29.2	13.2	385	0.5679	340±25%	≤20X10E-6

NOTES:

1 - BURNISH TO BREAK SHARP EDGES.

FR# 80

 FAIR-RITE PRODUCTS CORP.						
TITLE TOROID						
DRAWN BY A. BARTLETT	DATE 07-20-22	SIZE B	PART NO. 5980000301	REV. ~		
CHKD BY		APPRVD BY	SCALE NONE	SHEET 1 of 1		