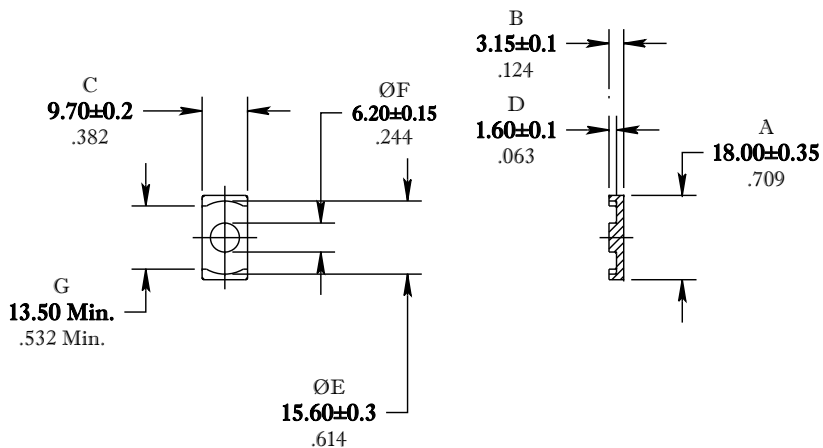


\*\* Not all features are shown in this drawing. For more detailed information, please contact your Fair-Rite representative.

UNCONTROLLED COPY WHEN PRINTED

SIZE	PART NO.	REV.
B	9567180302	0



DIMENSIONS  
**BOLD NUMBERS ARE IN MILLIMETERS**  
 LIGHT NUMBERS ARE IN INCHES

ELECTRICAL SPECIFICATIONS						
$\Sigma l/A(\text{mm}^{-1})$	$l_e$ (mm)	$A_e$ (mm <sup>2</sup> )	$A_{\text{Min}}$ (mm <sup>2</sup> )	$V_e$ (mm <sup>3</sup> )	$A_L$ (nH) @10 kHz <10gauss	$Q$ @50 MHz <1gauss
0.730	22.1	30.2	30.1	667	21 Min.	>50

MATE PAIR: CLAMPING FORCE = 5 lbs.

MEASURE & RECORD POWER LOSS  
 @ 25°C. f=5 MHz/100g., f=10 MHz/100g.

FR# 67

<b>FAIR-RITE PRODUCTS CORP.</b>						
TITLE "ER" CORE						
DRAWN BY D. FOOTE	DATE 06-21-2021	SIZE	PART NO.			REV.
CHKD BY		B	9567180302			0
APPRVD BY		SCALE	NONE	SHEET	1 of 1	