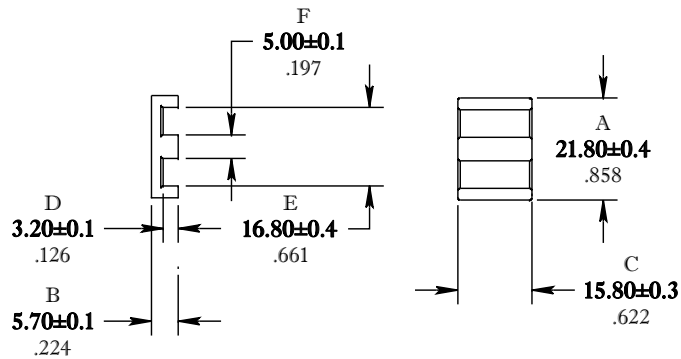


** Not all features are shown in this drawing. For more detailed information, please contact your Fair-Rite representative.

UNCONTROLLED COPY WHEN PRINTED

SIZE	PART NO.	REV.
B	9480223002	0




DIMENSIONS
BOLD NUMBERS ARE IN MILLIMETERS
 LIGHT NUMBERS ARE IN INCHES

ELECTRICAL SPECIFICATIONS					
$\Sigma l/A(\text{mm}^{-1})$	l_e (mm)	A_e (mm ²)	V_e (mm ³)	A_L (nH) @ 1 kHz <10 gauss	$\tan \delta/\mu_i$ @ 1 MHz <1 gauss
0.414	32.5	78.5	2560	1330±25%	≤20X10E-6
MATE PAIR CLAMPING FORCE = 5 lbs					

POWER LOSS @ 25°C [PER SET]
 f=1 MHz, 500g P.L. < TBD Watts

POWER LOSS @ 25°C [PER SET]
 f=3 MHz, 150g P.L. < TBD Watts

 FAIR-RITE PRODUCTS CORP.					
TITLE PLANAR "E" CORE					
DRAWN BY D. FOOTE	DATE 07-12-2021	SIZE	PART NO.	REV.	
CHKD BY		B	9480223002	0	
APPRVD BY		SCALE	NONE	SHEET 1 of 1	

FR# 80