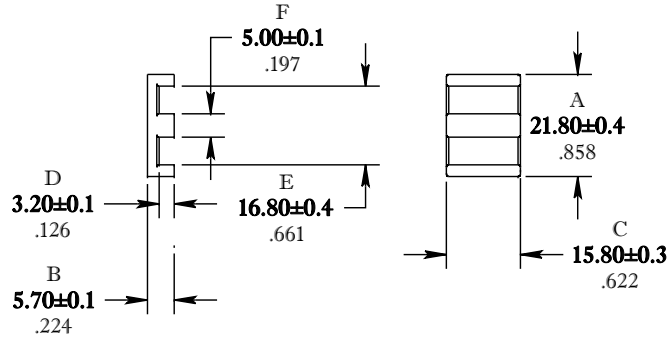


** Not all features are shown in this drawing. For more detailed information, please contact your Fair-Rite representative.

UNCONTROLLED COPY WHEN PRINTED

SIZE	PART NO.	REV.
B	9467223002	0



DIMENSIONS
BOLD NUMBERS ARE IN MILLIMETERS
 LIGHT NUMBERS ARE IN INCHES

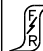
ELECTRICAL SPECIFICATIONS					
$\Sigma l/A(\text{mm}^{-1})$	l_e (mm)	A_e (mm ²)	V_e (mm ³)	AL (nH) @ 1 kHz <10 gauss	Q @ 50 MHz <1 gauss
0.414	32.5	78.5	2560	91 Min.	> 50
MATE PAIR CLAMPING FORCE = 5 lbs					

POWER LOSS @ 25°C [PER SET]

f=5 MHz, 100g P.L. < TBD Watts

POWER LOSS @ 25°C [PER SET]

f=10 MHz, 100g P.L. < TBD Watts

 FAIR-RITE PRODUCTS CORP.					
TITLE PLANAR "E" CORE					
DRAWN BY D. FOOTE	DATE 07-12-2021	SIZE	PART NO.	REV.	
CHKD BY		B	9467223002	0	
APPRVD BY		SCALE	NONE	SHEET	1 of 1

FR# 67