

**PRODUCT CHANGE NOTIFICATION**

Fair-Rite Products Corp.  
One Commercial Row, Walkill, NY 12589-0288  
[www.fair-rite.com](http://www.fair-rite.com)

Fair-Rite P/N : 4061287011      new Rev . Level : 6      PCN date : 4/22/2021

Fair-Rite Internal ECN # : C-9219      effective date : 4/22/2021

standard item       non standard item

Part Description : 61 material rod

Customer P/N reference (if any) : \_\_\_\_\_

type of change       discontinued

dimensional       electrical       detail / feature

Detail(s) of the change : Added chamfer detail

change from flat to chamfered ends to improve cosmetics

Reason for change(s) :       FR logistics       quality issue

low activity       capability issue       standardization

part is to become obsolete      suggested alternate P/N : \_\_\_\_\_

last time build date : N/A

last time buy date : N/A       existing inventory

customer notes

NOTES:

1 - PACKAGING: 200 PIECES/BAG [PKG-150], 1 BAG/BOX [PKG-101], 12 BOXES/F2 [PKG-106] = 2,400 PIECES/CARTON.

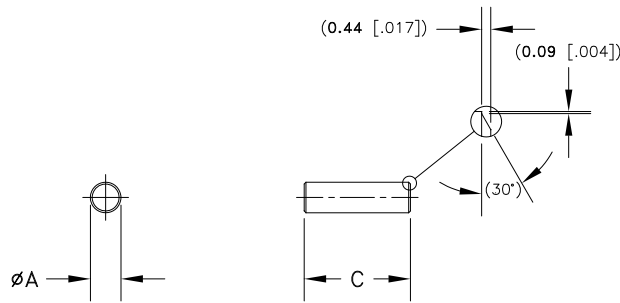
SIZE	PART NO.	REV.
B	4061287011	6

04/22/2021

UNCONTROLLED COPY WHEN PRINTED

CHAMFER DETAIL

ALL AROUND DIAMETER EACH END OF CORE



A  
6.10/6.60  
.250

C  
21.40/22.80  
.870

Bold numbers are in millimeters,\* light numbers are in inches

ELECTRICAL SPECIFICATIONS	
$L_s$ (mH) @ 1 MHz 100 mV	Q @ 10 MHz 100 mV
132±10%	120 Min.
TEST COIL N=76 #32 AWG	TEST COIL N=10 #22 AWG

5	C-6987	UPDATED PACKAGING SPECIFICATIONS	D.S.	04-30-18
4	C-1473	UPDATED ELECTRICAL SPECIFICATIONS & TEST CONDITIONS	D.S.	04-09-10
3	C-0641	ADDED ELECTRICAL SPECIFICATIONS	T.S.	04-06-09
2	B-9828	ADDED PACKAGING SPECIFICATIONS	D.S.	07-01-08
1	B-3240	STANDARDIZED PRINT FORMAT	D.S.	10-30-02
REV.	ECN	DESCRIPTION	DRFT	DATE

REVISIONS

APPLICABLE SPECS	DRAWING CLASS	FAIR-RITE PRODUCTS CORP.			
Tolerances Unless Otherwise Indicated	MATERIAL	TITLE			
3PL 2PL FRACT ANGLE	FR# 61	SOLID ROD			
FINISH	DRAWN BY S. ZAMONSKY	DATE 06-21-2001	SIZE	PART NO.	REV.
	CHKD BY		B	4061287011	6
	APPRVD BY		SCALE	NONE	SHEET 1 of 1

6	C-9219	ADDED CHAMFER DETAIL DIMENSIONS	D.S.	04-21-21
REV.	ECN	DESCRIPTION	DRFT	DATE