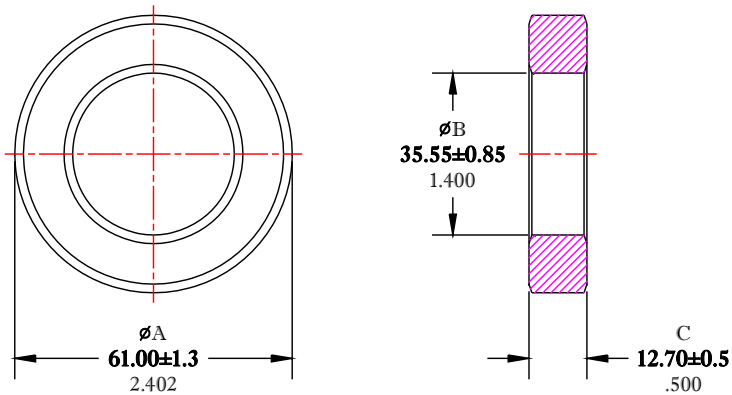


** Not all features are shown in this drawing. For more detailed information, please contact your Fair-Rite representative.

UNCONTROLLED ~CATALOG~ DRAWING

SIZE	PART NO.	REV.
B	2631803802	~



DIMENSIONS
BOLD NUMBERS ARE IN MILLIMETERS
 LIGHT NUMBERS ARE IN INCHES

ELECTRICAL SPECIFICATIONS							
$\Sigma l/A(\text{mm}^{-1})$	l_e (mm)	A_e (mm ²)	V_e (mm ³)	L_o (nH)	IMPEDANCE (OHMS)		
					10 MHz	25 MHz	100 MHz
.91627	145	158	22800	1.371	30 Min.	46 Min.	88 Min.
					N=1 #22 AWG WL=3"		

NOTES:

1 - BURNISH TO REMOVE SHARP EDGES.

FR# 31

FAIR-RITE PRODUCTS CORP.						
TITLE ROUND SUPPRESSION CORE						
DRAWN BY D. FOOTE	DATE 2/24/2020	SIZE B	PART NO. 2631803802	REV. ~		
CHKD BY						
APPRVD BY		SCALE NONE	SHEET 1 of 1			