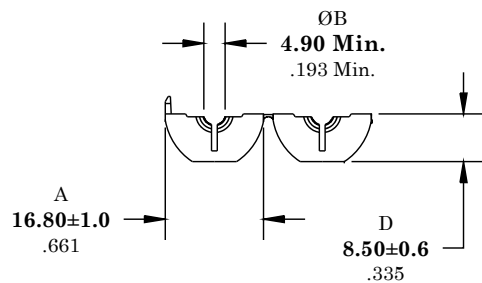
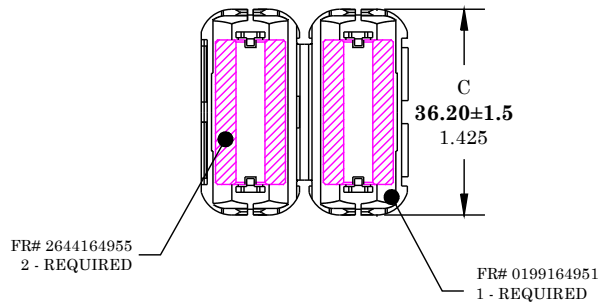


** Not all features are shown in this drawing. For more detailed information, please contact your Fair-Rite representative.

UNCONTROLLED ~CATALOG~ DRAWING

SIZE	PART NO.	REV.
B	0444164951	~



DIMENSIONS
BOLD NUMBERS ARE IN MILLIMETERS
 LIGHT NUMBERS ARE IN INCHES

ELECTRICAL SPECIFICATIONS

Impedance (Ohms)	
25 MHz	100 MHz
108 Min.	180 Min.
N=1, #22 AWG, WL=3-1/2"	

NOTES:

- 1 - CASE MATERIAL: POLYPROPYLENE - V0.
- 2 - CORE MATERIAL: FAIR-RITE PRODUCTS CORP. FR# 44.
- 3 - IMPEDANCE MEASURED ON AN E4991A USING A 16092A TEST FIXTURE.

FAIR-RITE PRODUCTS CORP.				
TITLE ROUND CABLE "SNAP-IT"				
DRAWN BY D. FOOTE	DATE 7/8/2020	SIZE B	PART NO. 0444164951	REV. ~
CHKD BY				
APPRVD BY		SCALE NONE	SHEET 1 of 1	