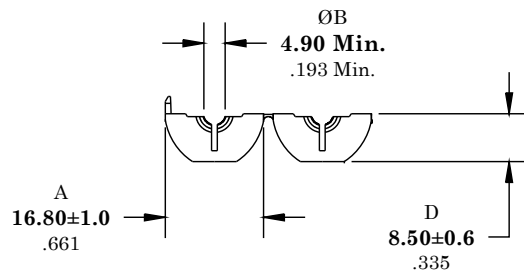
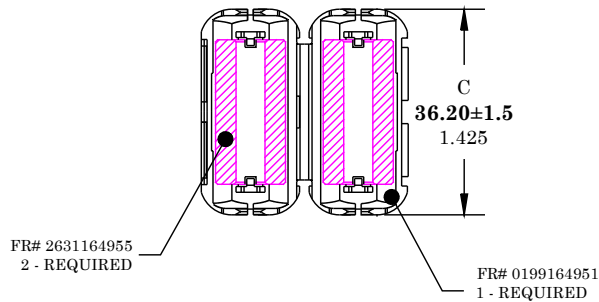


\*\* Not all features are shown in this drawing. For more detailed information, please contact your Fair-Rite representative.

UNCONTROLLED ~CATALOG~ DRAWING

SIZE	PART NO.	REV.
B	0431164951	~



DIMENSIONS  
**BOLD NUMBERS ARE IN MILLIMETERS**  
 LIGHT NUMBERS ARE IN INCHES

NOTES:

- 1 - CASE MATERIAL: POLYPROPYLENE - VO.
- 2 - CORE MATERIAL: FAIR-RITE PRODUCTS CORP. FR# 31.
- 3 - IMPEDANCE IS MEASURED ON AN HP4193A, USING A 04193-87001 PROBE KIT.

ELECTRICAL SPECIFICATIONS

Impedance (Ohms)		
10 MHz	25 MHz	100 MHz
80 Min.	135 Min.	224 Min.
N = 1, #22 AWG, WL = 2-1/2"		

FAIR-RITE PRODUCTS CORP.				
TITLE ROUND CABLE "SNAP-IT"				
DRAWN BY D. FOOTE	DATE 6/4/2020	SIZE B	PART NO. 0431164951	REV. ~
CHKD BY				
APPRVD BY		SCALE NONE	SHEET 1 of 1	