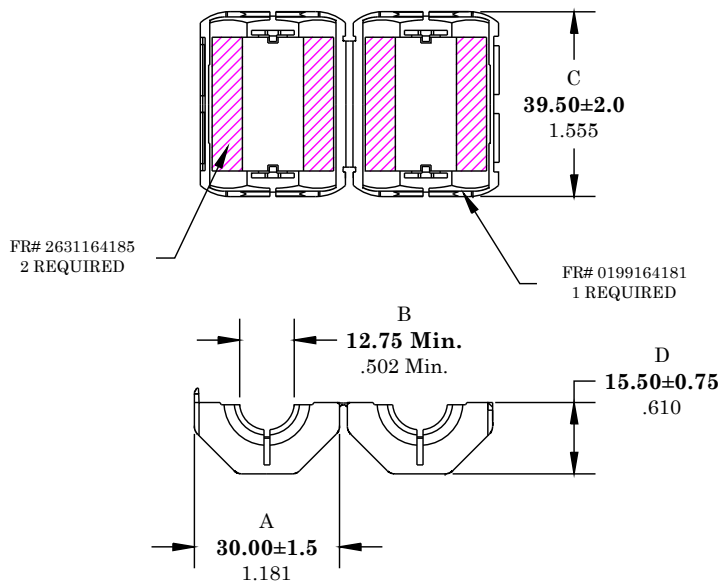


** Not all features are shown in this drawing. For more detailed information, please contact your Fair-Rite representative.

UNCONTROLLED ~CATALOG~ DRAWING

SIZE	PART NO.	REV.
B	0431164181	~



FR# 2631164185
2 REQUIRED

FR# 0199164181
1 REQUIRED


DIMENSIONS
BOLD NUMBERS ARE IN MILLIMETERS
LIGHT NUMBERS ARE IN INCHES

ELECTRICAL SPECIFICATIONS

IMPEDANCE (OHMS)		
10 MHz	25 MHz	100 MHz
75 Min.	125 Min.	208 Min.
N=1, #22 AWG, WL=3.25"		

NOTES:

- 1 - CASE MATERIAL: POLYPROPYLENE - V0.
- 2 - CORE MATERIAL: FAIR-RITE PRODUCTS CORP. FR# 31.
- 3 - IMPEDANCE MEASURED ON AN E4991A USING A 16092A TEST FIXTURE.

 FAIR-RITE PRODUCTS CORP.					
TITLE ROUND CABLE "SNAP-IT"					
DRAWN BY D. FOOTE	DATE 3/12/2020	SIZE	PART NO.	REV.	
CHKD BY		B	0431164181	~	
APPRVD BY		SCALE	NONE	SHEET 1 of 1	