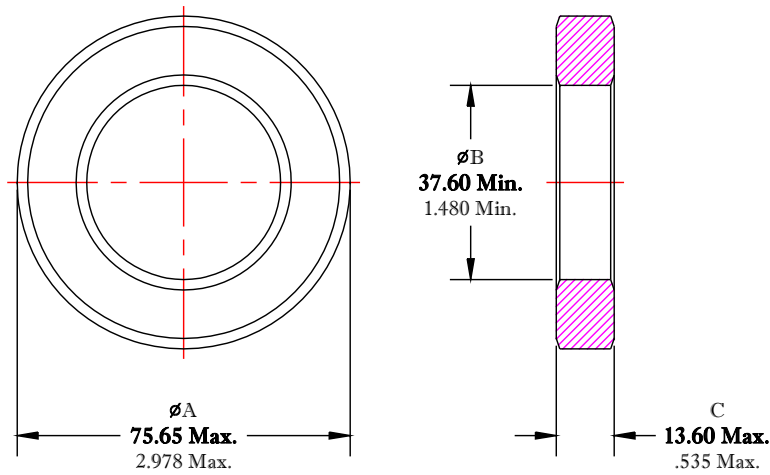


** Not all features are shown in this drawing. For more detailed information, please contact your Fair-Rite representative.

UNCONTROLLED ~CATALOG~ DRAWING

SIZE	PART NO.	REV.
B	5977011121	~



AFTER COATING

DIMENSIONS
BOLD NUMBERS ARE IN MILLIMETERS
 LIGHT NUMBERS ARE IN INCHES

ELECTRICAL SPECIFICATIONS						
$\Sigma l/A(\text{mm}^{-1})$	l_e (mm)	A_e (mm ²)	V_e (mm ³)	L_o (nH)	AL (nH) @10kHz <10gauss	$\tan \delta/\mu$ @100kHz <1gauss
.77347	165	214	35289	1.625	3225±25%	≤30X10 ⁻⁴
SEE SOP ELC-35						

NOTES:

- 1 - THIS PART TO BE THERMOSET PLASTIC COATED, USE APPROVED FR# 5977011101.
- 2 - COATED TOROID TO WITHSTAND A MINIMUM BREAKDOWN VOLTAGE OF 1000 Vrms, WHEN UNIFORMLY APPLIED ACROSS THE "C" DIMENSION.
- 3 - COATING THICKNESS = 0.25mm (.010") Max.

FR# 77

FAIR-RITE PRODUCTS CORP.						
TITLE COATED TOROID						
DRAWN BY D. FOOTE	DATE 5/26/2020	SIZE	PART NO.	REV.		
CHKD BY		B	5977011121	~		
APPRVD BY		SCALE	NONE	SHEET 1 of 1		