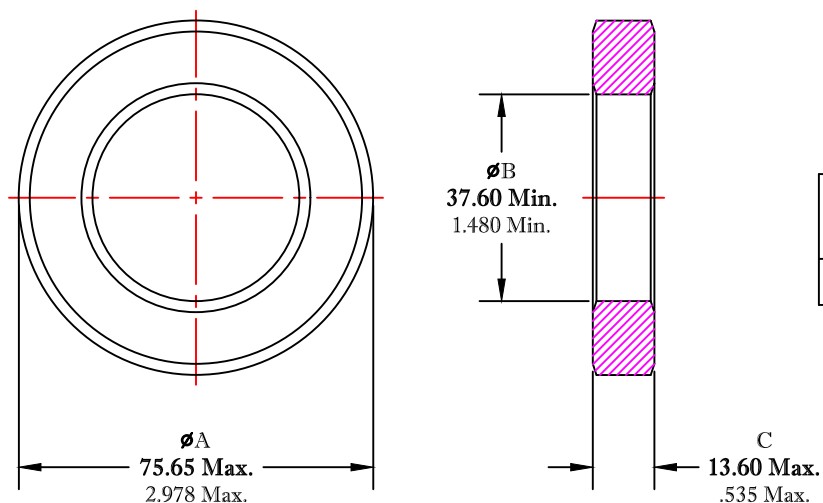


** Not all features are shown in this drawing. For more detailed information, please contact your Fair-Rite representative.

UNCONTROLLED ~CATALOG~ DRAWING

SIZE	PART NO.	REV.
B	5943011121	~



AFTER COATING

DIMENSIONS
BOLD NUMBERS ARE IN MILLIMETERS
 LIGHT NUMBERS ARE IN INCHES

ELECTRICAL SPECIFICATIONS						
$\Sigma l/A(mm^{-1})$	$l_e (mm)$	$A_e (mm^2)$	$V_e (mm^3)$	$L_o (nH)$	$A_L (nH)$ @ 10 kHz <10gauss	$\tan \delta/\mu_1$ @100 kHz 1gauss
0.77374	165	214	35289	1.625	1300 ^{+25%} / _{-30%}	$\leq 50 \times 10^{-6}$

SEE SOP ELC-35

NOTES:

- 1 - THIS PART TO BE THERMOSET PLASTIC COATED, USE APPROVED FR# 5943011101.
- 2 - COATED TOROID TO WITHSTAND A MINIMUM BREAKDOWN VOLTAGE OF 1000 Vrms, WHEN UNIFORMLY APPLIED ACROSS THE "C" DIMENSION.
- 3 - COATING THICKNESS = 0.25mm (.010") Max.

FR# 43

FAIR-RITE PRODUCTS CORP.						
TITLE COATED TOROID						
DRAWN BY J.SERENCIS	DATE 07-18-2018	SIZE	PART NO.	REV.		
CHKD BY		B	5943011121	~		
APPRVD BY		SCALE	NONE	SHEET	1	of 1