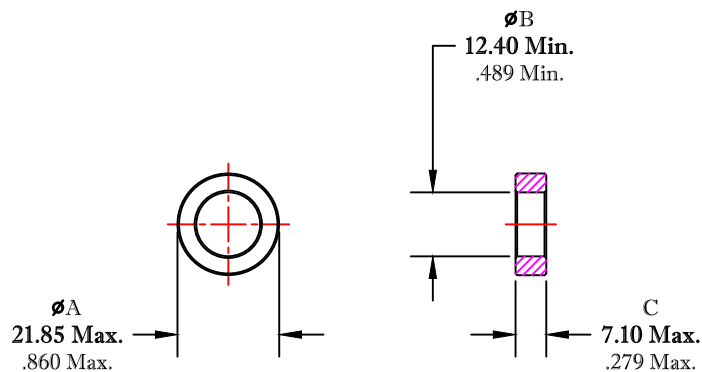


** Not all features are shown in this drawing. For more detailed information, please contact your Fair-Rite representative.

UNCONTROLLED ~CATALOG~ DRAWING

SIZE	PART NO.	REV.
B	5943000621	~



AFTER COATING
DIMENSIONS
BOLD NUMBERS ARE IN MILLIMETERS
LIGHT NUMBERS ARE IN INCHES

NOTES:

- 1 - THIS PART TO BE THERMOSET PLASTIC COATED, USE APPROVED FR# 5943000601.
- 2 - COATING THICKNESS = 0.25mm (.010") Max.
- 3 - COATED TOROID TO WITHSTAND A MINIMUM BREAKDOWN VOLTAGE OF 1000 Vrms, WHEN UNIFORMLY APPLIED ACROSS THE "C" DIMENSION.
- 54- ELECTRICAL TESTS PERFORMED AS PER SOP# ELC-45.

ELECTRICAL SPECIFICATIONS						
$\Sigma l/A(\text{mm}^{-1})$	l_e (mm)	A_e (mm ²)	V_e (mm ³)	L_o (nH)	A_L (nH) @10 kHz <10gauss	$\tan \delta/\mu$ @100 kHz <1gauss
2.1310	51.8	24.3	1261	0.590	470 ^{+20%} / _{-25%}	$\leq 50 \times 10^{-6}$

FR# 43

FAIR-RITE PRODUCTS CORP.						
TITLE COATED TOROID						
DRAWN BY J.SERENCIS	DATE 07-17-2018	SIZE	PART NO.	REV.		
CHKD BY		B	5943000621	~		
APPRVD BY		SCALE	NONE	SHEET	1	of 1