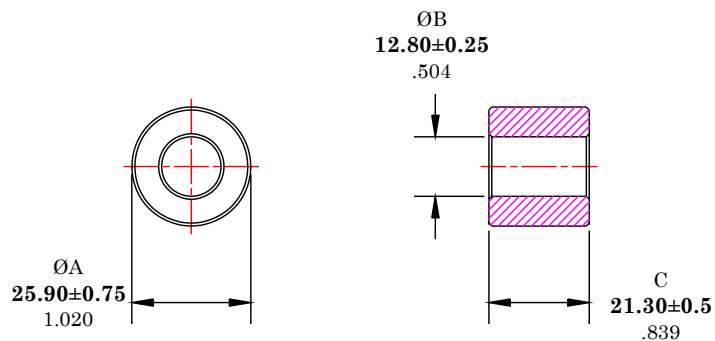


** Not all features are shown in this drawing. For more detailed information, please contact your Fair-Rite representative.

UNCONTROLLED ~CATALOG~ DRAWING

SIZE	PART NO.	REV.
B	2677102402	~




ELECTRICAL SPECIFICATIONS							
$\Sigma l/A (\text{mm}^{-1})$	$l_e (\text{mm})$	$A_e (\text{mm}^2)$	$V_e (\text{mm}^3)$	$L_o (\text{nH})$	IMPEDANCE (OHMS)		
					10 MHz	25 MHz	
0.41853	56.0	134	7502	3.003	20 Min.	18 Min.	
N=1 #22AWG WL=1.5"							

DIMENSIONS
BOLD NUMBERS ARE IN MILLIMETERS
 LIGHT NUMBERS ARE IN INCHES

NOTES:

1 - BURNISH TO BREAK SHARP EDGES.

FR# 77

 FAIR-RITE PRODUCTS CORP.							
TITLE ROUND SUPPRESSION CORE							
DRAWN BY D. FOOTE	DATE 2/21/2020	SIZE	PART NO.			REV.	
CHKD BY		B	2677102402			~	
APPRVD BY		SCALE	NONE	SHEET 1 of 1			