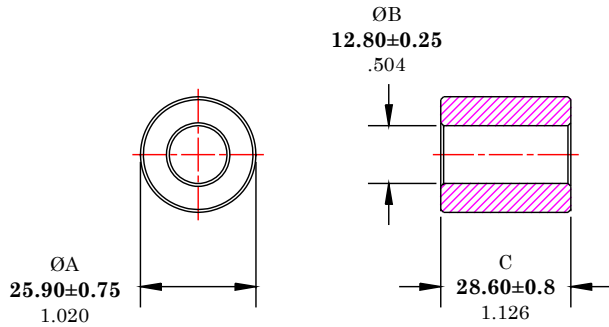


** Not all features are shown in this drawing. For more detailed information, please contact your Fair-Rite representative.

UNCONTROLLED ~CATALOG~ DRAWING

SIZE	PART NO.	REV.
B	2675102002	~



DIMENSIONS
BOLD NUMBERS ARE IN MILLIMETERS
 LIGHT NUMBERS ARE IN INCHES

ELECTRICAL SPECIFICATIONS									
$\Sigma l/A (\text{mm}^{-1})$	$l_e (\text{mm})$	$A_e (\text{mm}^2)$	$V_e (\text{mm}^3)$	$L_o (\text{nH})$	IMPEDANCE (OHMS) SPECIFICATIONS			FOR PROCESS CONTROL ONLY	
					0.5 MHz	1.0 MHz	5.0 MHz	$A_L (\mu\text{H})$ @ 100 kHz	$\tan \delta / \mu_i$ @ 100 kHz
0.31170	56.0	180	10072	4.032	56 Min.	76 Min.	45 Min.	$23.0 \pm 30\%$	$\leq 10 \times 10^{-6}$
N=1 #22AWG WL=3"									

NOTES:

1 - BURNISH TO BREAK SHARP EDGES.

FR# 75

FAIR-RITE PRODUCTS CORP.				
TITLE ROUND SUPPRESSION CORE				
DRAWN BY D. FOOTE	DATE 3/10/2020	SIZE B	PART NO. 2675102002	REV. ~
CHKD BY				
APPRVD BY		SCALE NONE	SHEET 1 of 1	