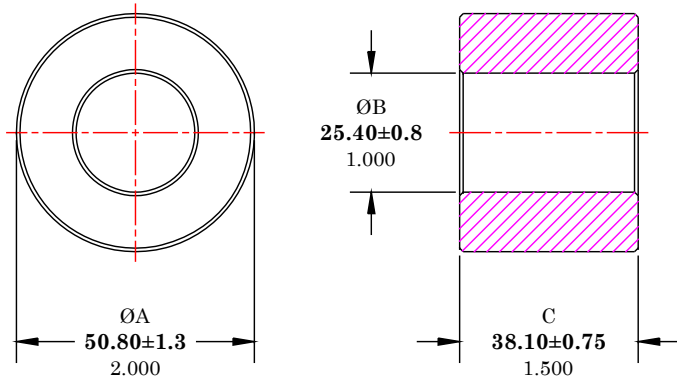


\*\* Not all features are shown in this drawing. For more detailed information, please contact your Fair-Rite representative.

UNCONTROLLED ~CATALOG~ DRAWING

SIZE	PART NO.	REV.
B	2646626202	~




DIMENSIONS  
**BOLD NUMBERS ARE IN MILLIMETERS**  
 LIGHT NUMBERS ARE IN INCHES

ELECTRICAL SPECIFICATIONS					
$\Sigma l/A(\text{mm}^{-1})$	$l_e$ (mm)	$A_e$ (mm <sup>2</sup> )	$V_e$ (mm <sup>3</sup> )	$L_o$ (nH)	IMPEDANCE (OHMS)
.23791	111	465	51432	5.282	100 MHz
					240 Min.
N=1 #22AWG WL=4.50"					

NOTES:

1 - BURNISH TO BREAK SHARP EDGES.

FR# 46

 <b>FAIR-RITE PRODUCTS CORP.</b>					
TITLE ROUND SUPPRESSION CORE					
DRAWN BY D. FOOTE	DATE 3/3/2020	SIZE	PART NO.	REV.	
CHKD BY		B	2646626202	~	
APPRVD BY		SCALE	NONE	SHEET 1 of 1	