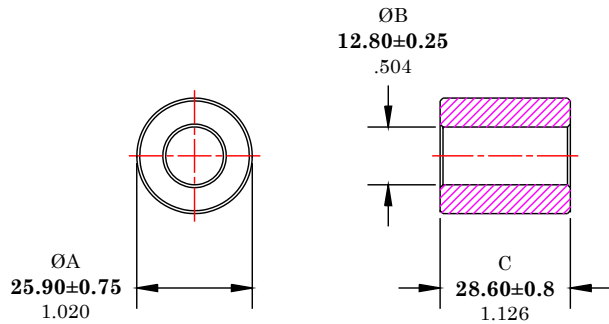


** Not all features are shown in this drawing. For more detailed information, please contact your Fair-Rite representative.

UNCONTROLLED ~CATALOG~ DRAWING

SIZE	PART NO.	REV.
B	2646102002	~




DIMENSIONS
BOLD NUMBERS ARE IN MILLIMETERS
 LIGHT NUMBERS ARE IN INCHES

ELECTRICAL SPECIFICATIONS					
$\Sigma L/A (\text{mm}^{-1})$	$l_e (\text{mm})$	$A_e (\text{mm}^2)$	$V_e (\text{mm}^3)$	$L_o (\text{nH})$	IMPEDANCE (OHMS)
					100 MHz
0.31170	56.0	180	10072	4.032	170 Min.
N=1 #22AWG WL=3"					

NOTES:

1 - BURNISH TO BREAK SHARP EDGES.

FR# 46

 FAIR-RITE PRODUCTS CORP.					
TITLE ROUND SUPPRESSION CORE					
DRAWN BY D. FOOTE	DATE 3/3/2020	SIZE B	PART NO. 2646102002	REV. ~	
CHKD BY					
APPRVD BY		SCALE NONE	SHEET 1 of 1		