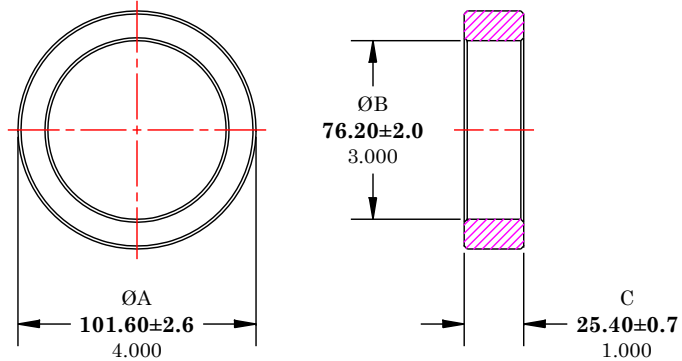


\*\* Not all features are shown in this drawing. For more detailed information, please contact your Fair-Rite representative.

UNCONTROLLED ~CATALOG~ DRAWING

SIZE	PART NO.	REV.
B	2643814002	~




DIMENSIONS  
**BOLD NUMBERS ARE IN MILLIMETERS**  
 LIGHT NUMBERS ARE IN INCHES

ELECTRICAL SPECIFICATIONS					IMPEDANCE (OHMS)	
$\Sigma l/A(\text{mm}^{-1})$	$l_e$ (mm)	$A_e$ (mm <sup>2</sup> )	$V_e$ (mm <sup>3</sup> )	$L_o$ (nH)	25 MHz	100 MHz
0.85985	275	320	88,250	1.461	60 Min.	135 Min.
N=1 #22AWG WL=3"						

NOTES:

1 - BURNISH TO REMOVE SHARP EDGES.

FR# 43

 <b>FAIR-RITE PRODUCTS CORP.</b>						
TITLE      ROUND SUPPRESSION CORE						
DRAWN BY D. FOOTE	DATE 3/2/2020	SIZE B	PART NO. 2643814002	REV. ~		
CHKD BY		APPRVD BY		SCALE NONE	SHEET 1 of 1	