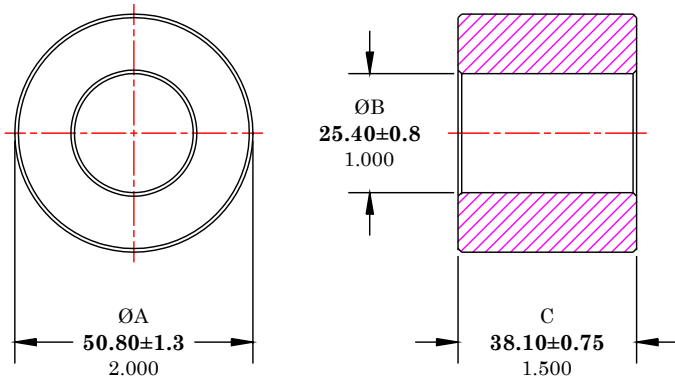


\*\* Not all features are shown in this drawing. For more detailed information, please contact your Fair-Rite representative.

UNCONTROLLED ~CATALOG~ DRAWING

SIZE	PART NO.	REV.
B	2643626202	~



ELECTRICAL SPECIFICATIONS						
$\Sigma l/A (\text{mm}^{-1})$	$l_e (\text{mm})$	$A_e (\text{mm}^2)$	$V_e (\text{mm}^3)$	$L_o (\text{nH})$	IMPEDANCE (OHMS)	
					25 MHz	100 MHz
.23791	111	465	52432	5.282	154 Min.	269 Min.
N=1 #22AWG WL=4.50"						

DIMENSIONS  
**BOLD NUMBERS ARE IN MILLIMETERS**  
 LIGHT NUMBERS ARE IN INCHES

NOTES:

- 1 - BURNISH TO BREAK SHARP EDGES.
- 2 - IMPEDANCE MEASURED ON A HP4193A, USING AN 04193-87001 PROBE KIT

FR# 43

<b>FAIR-RITE PRODUCTS CORP.</b>						
TITLE ROUND SUPPRESSION CORE						
DRAWN BY D. FOOTE	DATE 2/26/2020	SIZE	PART NO.	REV.		
CHKD BY		B	2643626202	~		
APPRVD BY		SCALE	NONE	SHEET	1 of 1	