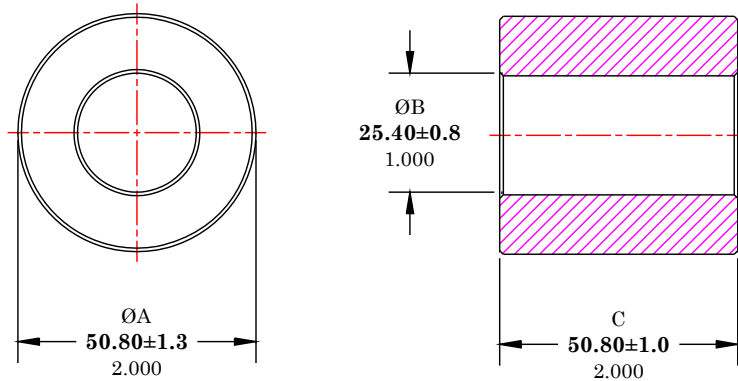


** Not all features are shown in this drawing. For more detailed information, please contact your Fair-Rite representative.

UNCONTROLLED ~CATALOG~ DRAWING

SIZE	PART NO.	REV.
B	2643626002	~



DIMENSIONS
BOLD NUMBERS ARE IN MILLIMETERS
 LIGHT NUMBERS ARE IN INCHES

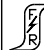
ELECTRICAL SPECIFICATIONS

$\Sigma l/A(\text{mm}^{-1})$	l_e (mm)	A_e (mm ²)	V_e (mm ³)	L_o (nH)	IMPEDANCE (OHMS)	
					25 MHz	100 MHz
.17843	111	620	68576	7.043	192 Min.	288 Min.
N=1 #22AWG WL=5.5"						

NOTES:

1- BURNISH TO BREAK SHARP EDGES.

FR# 43

 FAIR-RITE PRODUCTS CORP.					
TITLE ROUND SUPPRESSION CORE					
DRAWN BY D. FOOTE	DATE 2/26/2020	SIZE	PART NO.	REV.	
CHKD BY		B	2643626002	~	
APPRVD BY		SCALE	NONE	SHEET 1 of 1	