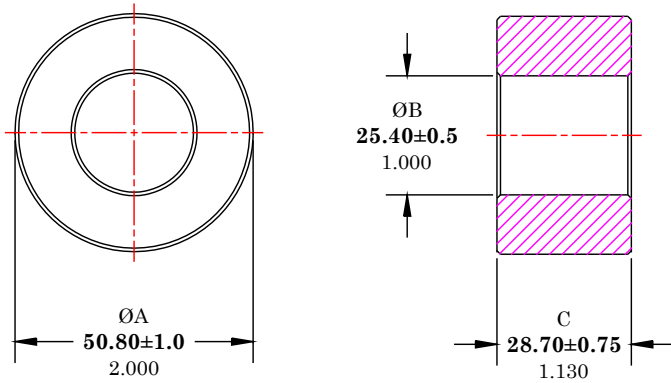


\*\* Not all features are shown in this drawing. For more detailed information, please contact your Fair-Rite representative.

UNCONTROLLED ~CATALOG~ DRAWING

SIZE	PART NO.	REV.
B	2643625902	~



DIMENSIONS  
**BOLD NUMBERS ARE IN MILLIMETERS**  
 LIGHT NUMBERS ARE IN INCHES


ELECTRICAL SPECIFICATIONS

$\Sigma L/A(\text{mm}^{-1})$	$l_e$ (mm)	$A_e$ (mm <sup>2</sup> )	$V_e$ (mm <sup>3</sup> )	$L_o$ (nH)	IMPEDANCE (OHMS)	
					25 MHz	100 MHz
.31584	111	350	38743	3.979	116 Min.	203 Min.
N=1 #22AWG WL=3"						

NOTES:

1- BURNISH TO BREAK SHARP EDGES.

FR# 43

 <b>FAIR-RITE PRODUCTS CORP.</b>					
TITLE ROUND SUPPRESSION CORE					
DRAWN BY D. FOOTE	DATE 2/26/2020	SIZE	PART NO.	REV.	
CHKD BY		B	2643625902	~	
APPRVD BY		SCALE	NONE	SHEET 1 of 1	