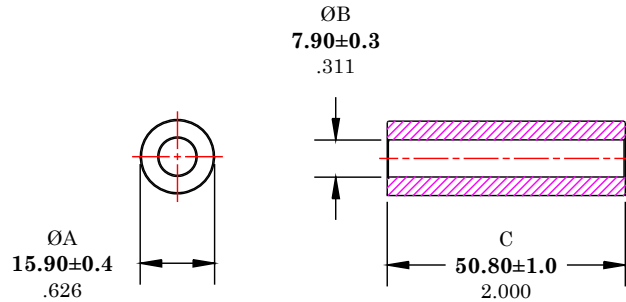


** Not all features are shown in this drawing. For more detailed information, please contact your Fair-Rite representative.

UNCONTROLLED ~CATALOG~ DRAWING

SIZE	PART NO.	REV.
B	2643625202	~




DIMENSIONS
BOLD NUMBERS ARE IN MILLIMETERS
 LIGHT NUMBERS ARE IN INCHES

ELECTRICAL SPECIFICATIONS					IMPEDANCE (OHMS)	
$\Sigma l/A(\text{mm}^{-1})$	l_e (mm)	A_e (mm ²)	V_e (mm ³)	L_o (nH)	25 MHz	100 MHz
0.17722	34.5	195	6707	7.091	210 Min.	320 Min.
N=1 #22AWG WL=4.25"						

NOTES:

- 1 - BURNISH TO BREAK SHARP EDGES.
- 2 - IMPEDANCE MEASURED ON AN E4991A USING A 16092A TEST FIXTURE.

FR# 43

 FAIR-RITE PRODUCTS CORP.						
TITLE ROUND SUPPRESSION CORE						
DRAWN BY D. FOOTE	DATE 2/26/2020	SIZE	PART NO.	REV.		
CHKD BY		B	2643625202	~		
APPRVD BY		SCALE	NONE	SHEET	1 of 1	