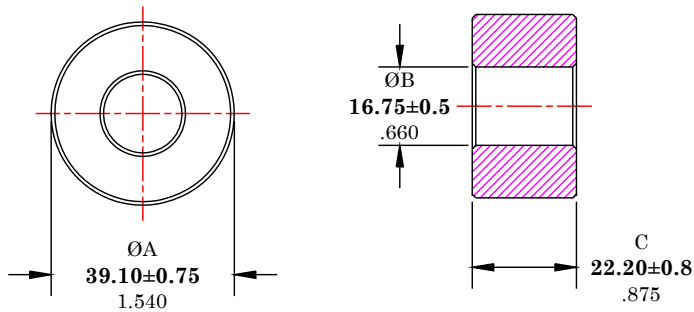


** Not all features are shown in this drawing. For more detailed information, please contact your Fair-Rite representative.

UNCONTROLLED ~CATALOG~ DRAWING

SIZE	PART NO.	REV.
B	2643251002	~




DIMENSIONS
BOLD NUMBERS ARE IN MILLIMETERS
 LIGHT NUMBERS ARE IN INCHES

ELECTRICAL SPECIFICATIONS						
$\Sigma l/A (\text{mm}^{-1})$	$l_e (\text{mm})$	$A_e (\text{mm}^2)$	$V_e (\text{mm}^3)$	$L_o (\text{nH})$	IMPEDANCE (OHMS)	
					25 MHz	100 MHz
0.33386	78.0	234	18241	3.764	120 Min.	195 Min.
N=1 #22AWG WL=2.75"						

NOTES:

- 1 - BURNISH TO BREAK SHARP EDGES.
- 2 - IMPEDANCE IS MEASURED ON AN E4991A USING A 16092A TEST FIXTURE.

FR# 43

 FAIR-RITE PRODUCTS CORP.						
TITLE ROUND SUPPRESSION CORE						
DRAWN BY D. FOOTE	DATE 2/24/2020	SIZE	PART NO.	REV.		
CHKD BY			B 2643251002	~		
APPRVD BY		SCALE	NONE	SHEET	1 of 1	