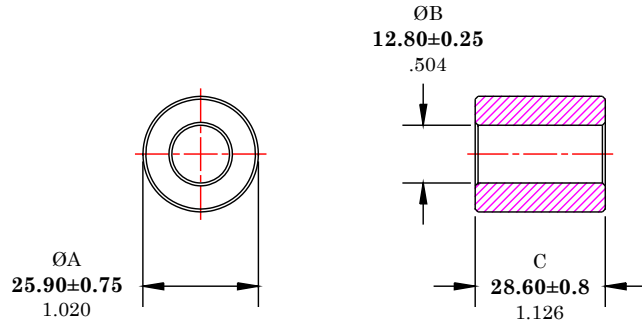


** Not all features are shown in this drawing. For more detailed information, please contact your Fair-Rite representative.

UNCONTROLLED ~CATALOG~ DRAWING

SIZE	PART NO.	REV.
B	2643102002	~




DIMENSIONS
BOLD NUMBERS ARE IN MILLIMETERS
 LIGHT NUMBERS ARE IN INCHES

ELECTRICAL SPECIFICATIONS						
$\Sigma l/A(\text{mm}^{-1})$	l_e (mm)	A_e (mm ²)	V_e (mm ³)	L_o (nH)	IMPEDANCE (OHMS)	
					25 MHz	100 MHz
.31170	56.0	180	10072	4.032	116 Min.	188 Min.
N=1 #22AWG WL=3"						

NOTES:

1 - BURNISH TO BREAK SHARP EDGES.

 FAIR-RITE PRODUCTS CORP.					
TITLE ROUND SUPPRESSION CORE					
DRAWN BY D. FOOTE	DATE 2/24/2020	SIZE B	PART NO. 2643102002	REV. ~	
CHKD BY					
APPRVD BY		SCALE NONE	SHEET 1 of 1		

FR# 43