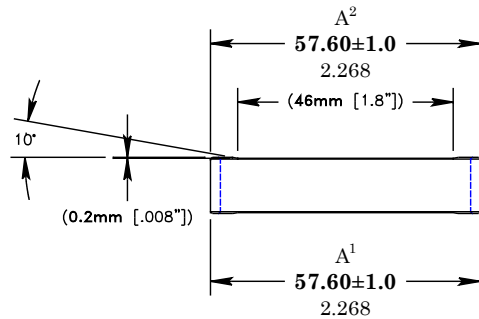


** Not all features are shown in this drawing. For more detailed information, please contact your Fair-Rite representative.

UNCONTROLLED ~CATALOG~ DRAWING

SIZE	PART NO.	REV.
B	2643180751	~

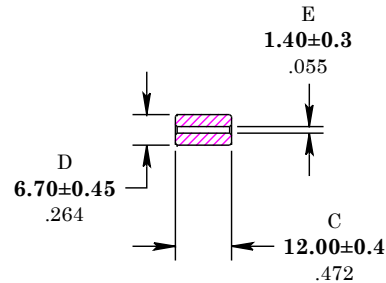
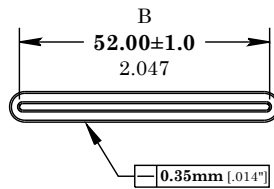


A¹ - A²
0.70 Max.
 .028 Max.

ELECTRICAL SPECIFICATIONS

IMPEDANCE (OHMS)	
25 MHz	100 MHz
26.5 Min.	61 Min.

N=1, #24 AWG, WL=1"
 MEASURE @ END OF SLOT



DIMENSIONS
BOLD NUMBERS ARE IN MILLIMETERS
 LIGHT NUMBERS ARE IN INCHES

NOTES:

- 1 - BURNISH TO BREAK SHARP EDGES.
- 2 - IMPEDANCE MEASURED ON AN E4991A USING A 16092A TEST FIXTURE.

FR# 43

FAIR-RITE PRODUCTS CORP.				
TITLE FLAT CABLE SUPPRESSION CORE				
DRAWN BY D. FOOTE	DATE 2/19/2020	SIZE	PART NO.	REV.
CHKD BY		B	2643180751	~
APPRVD BY		SCALE	NONE	SHEET 1 of 1