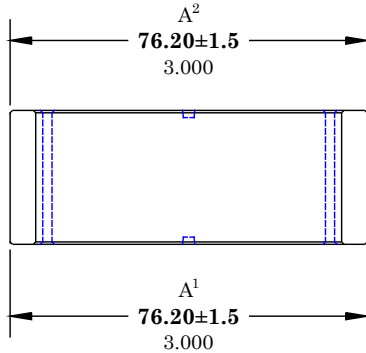


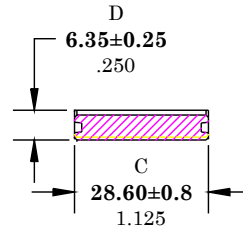
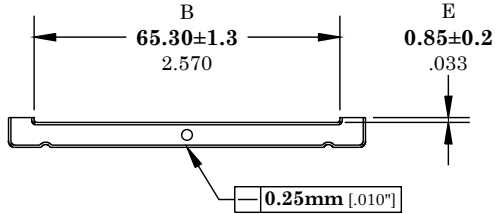
** Not all features are shown in this drawing. For more detailed information, please contact your Fair-Rite representative.

UNCONTROLLED ~CATALOG~ DRAWING

SIZE	PART NO.	REV.
B	2631164051	~



A¹ - A²
0.80 Max.
 .031 Max.



ELECTRICAL SPECIFICATIONS

IMPEDANCE [Ohms]		
10 MHz	25 MHz	100 MHz
41.6 Min.	84 Min.	248 Min.
MATE PAIR, N=1, #22 AWG, WL=2.75"		

MEASURED AT END OF SLOT

DIMENSIONS
BOLD NUMBERS ARE IN MILLIMETERS
 LIGHT NUMBERS ARE IN INCHES

FR# 31

FAIR-RITE PRODUCTS CORP.				
TITLE FLAT CABLE SUPPRESSION CORE				
DRAWN BY D. FOOTE	DATE 1/23/2020	SIZE	PART NO.	REV.
CHKD BY		B	2631164051	~
APPRVD BY		SCALE	NONE	SHEET 1 of 1