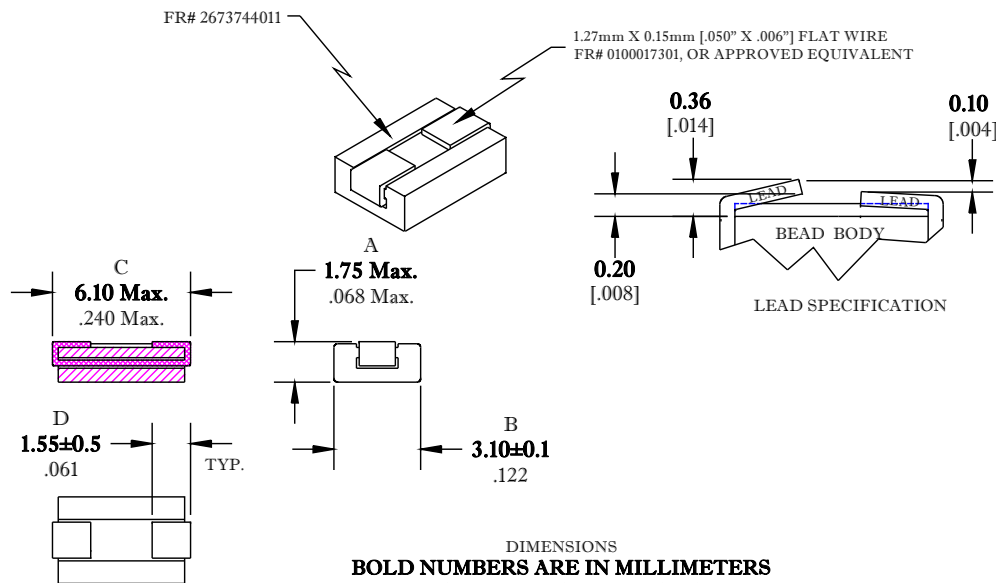


** Not all features are shown in this drawing. For more detailed information, please contact your Fair-Rite representative.

UNCONTROLLED ~CATALOG~ DRAWING

SIZE	PART NO.	REV.
B	2773044447	~



ELECTRICAL SPECIFICATIONS

Impedance (Ohms)	
10 MHz	25 MHz
20 Min.	26.4 Min.

NOTES:

- 1 - WIRE IS OXYGEN FREE, HIGH CONDUCTIVITY COPPER.
- 2 - WIRE MEETS FAIR-RITE PRODUCTS CORP. SOP# ELC-57, FOR SOLDERABILITY.
- 3 - THIS PART MEETS FAIR-RITE PRODUCTS CORP. VISUAL INSPECTION CRITERIA FOR SURFACE MOUNT BEADS
- 4 - PART MEETS FAIR-RITE PRODUCTS SOP# ELC-27 FOR THERMAL SHOCK RESISTANCE.
- 5 - IMPEDANCE MEASURED ON A HP4191A, USING A 16092A TEST FIXTURE.
- 6 - PARTS ARE SUPPLIED TAPED & REELED

FAIR-RITE PRODUCTS CORP.				
TITLE				
GROOVED LOW PROFILE SM BEAD				
DRAWN BY	DATE	SIZE	PART NO.	REV.
D. FOOTE	9/16/2019	B	2773044447	~
CHKD BY				
APPRVD BY		SCALE: NONE	SHEET 1 OF 1	

FR# 73