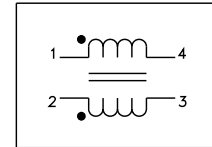
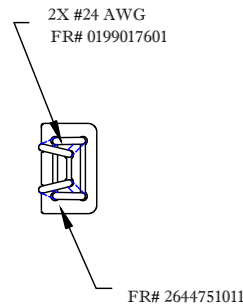
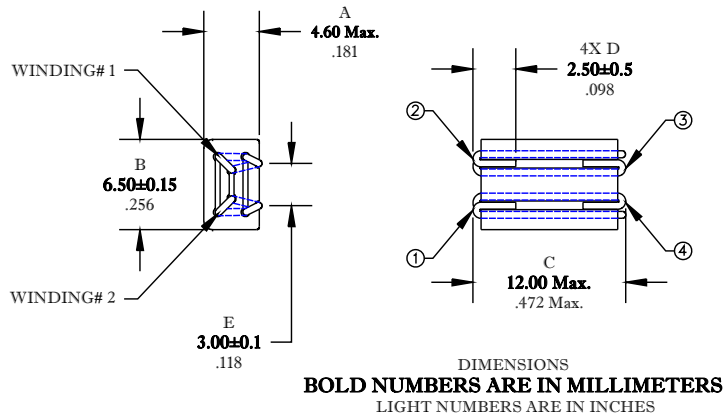


** Not all features are shown in this drawing. For more detailed information, please contact your Fair-Rite representative.

UNCONTROLLED ~CATALOG~ DRAWING

SIZE	PART NO.	REV.
B	2744051446	~



IMPEDANCE VALUES ARE MEASURED BETWEEN TERMINALS 1 AND 4, OR 2 AND 3, USING AN HP4191A ON A 16092A FIXTURE.

Impedance (Ohms)		
25 MHz	100 MHz	300 MHz
80 MIN	184 MIN	220 MIN

NOTES:

- 1 - THIS PART MEETS THE FAIR-RITE PRODUCTS VISUAL INSPECTION CRITERIA FOR SURFACE MOUNT BEADS.
- 2 - PART MEETS FAIR-RITE PRODUCTS' SOP ELC-27 FOR THERMAL SHOCK RESISTANCE.
- 3 - COPLANARITY BETWEEN LEADS: 0.15mm (.006") MAX.
- 4 - WIRE MEETS FAIR-RITE PRODUCTS CORP. SOP# ELC-57, FOR SOLDERABILITY.
- 5 - PARTS ARE TO BE 100% TESTED & 100% CERTIFIED FOR BREAKDOWN VOLTAGE BETWEEN CONDUCTORS: 1000 Vdc.

FR# 44

FAIR-RITE PRODUCTS CORP.				
TITLE MULTI-TURN COMMON MODE BEAD				
DRAWN BY J.SERENCISCS	DATE 06-29-2018	SIZE B	PART NO. 2744051446	REV. ~
CHKD BY				
APPRVD BY		SCALE: NONE	SHEET 1 OF 1	