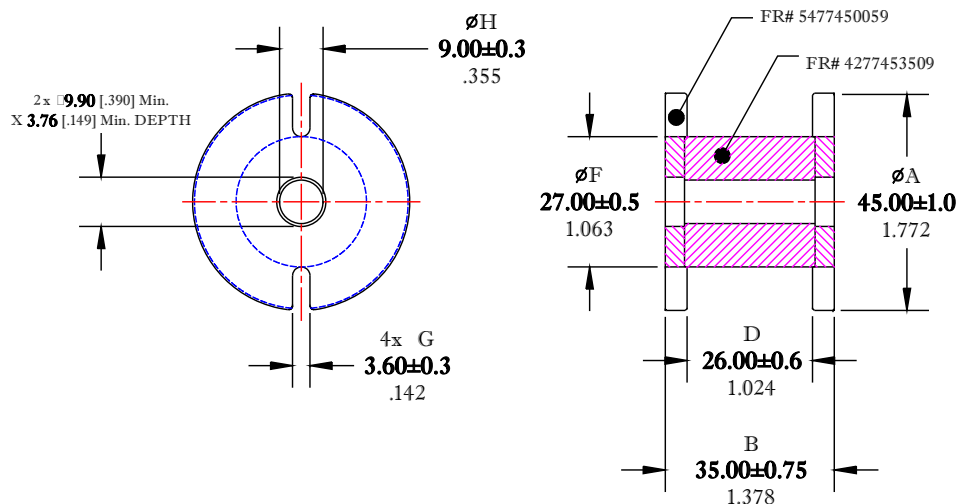


** Not all features are shown in this drawing. For more detailed information, please contact your Fair-Rite representative.

UNCONTROLLED ~CATALOG~ DRAWING

SIZE	PART NO.	REV.
B	9677453509	~



DIMENSIONS
BOLD NUMBERS ARE IN MILLIMETERS
 LIGHT NUMBERS ARE IN INCHES

ELECTRICAL SPECIFICATIONS

AL (nH) ±10%	AL (nH) Min.
142	121 @ NI=750
AL VALUE MEASURED @ 1 kHz, 1 Volt @ 23°C FAIR-RITE TEST COIL WITH N=100 #16 AWG	

ALTERNATE TEST METHOD

AL (nH) ±10%	AL (nH) Min.
160	137 @ NI=750
AL VALUE MEASURED @ 1 kHz, 1 Volt @ 23°C WITH N=100 #16 AWG WOUND DIRECTLY ON BOBBIN	

SEE SOP# ELC-33

NOTES:

- 1 - USE HYSOL 9432NA EPOXY, OR APPROVED EQUIVALENT, TO ASSEMBLE.
- 2 - PACKAGING: 10 PIECES/FOAM TRAY, 3 TRAYS/CARTON = 30 PIECES TOTAL.

FR# 77

FAIR-RITE PRODUCTS CORP.				
TITLE ASSEMBLED BOBBIN				
DRAWN BY D. FOOTE	DATE 7/9/2019	SIZE B	PART NO. 9677453509	REV. ~
CHKD BY				
APPRVD BY		SCALE NONE	SHEET 1 of 1	