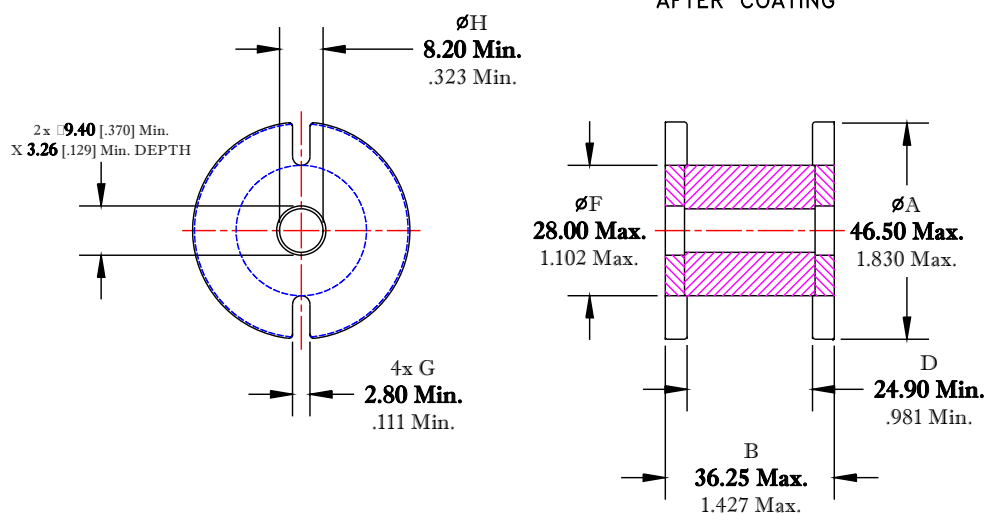


** Not all features are shown in this drawing. For more detailed information, please contact your Fair-Rite representative.

UNCONTROLLED ~CATALOG~ DRAWING

SIZE	PART NO.	REV.
B	9677453508	~



DIMENSIONS
BOLD NUMBERS ARE IN MILLIMETERS
 LIGHT NUMBERS ARE IN INCHES

$B_{Max.} - B_{Min.}$
 ≤ 0.60
 $\leq .024$

ELECTRICAL SPECIFICATIONS

AL (nH) $\pm 10\%$	AL (nH) Min.
142	121 @ NI=750
AL VALUE MEASURED @ 1 kHz, 1 Volt @ 23°C FAIR-RITE TEST COIL WITH N=100 #16 AWG	

ALTERNATE TEST METHOD

AL (nH) $\pm 10\%$	AL (nH) Min.
160	137 @ NI=750
AL VALUE MEASURED @ 1 kHz, 1 Volt @ 23°C WITH N=100 #16 AWG WOUND DIRECTLY ON BOBBIN	

SEE SOP# ELC-33

NOTES:

- 1 - THIS PART TO BE THERMOSET PLASTIC COATED, USE APPROVED FR# 9677453509.
- 2 - COATING THICKNESS: 0.25mm [.010"] MAX.
- 3 - COATED BOBBIN TO WITHSTAND A MINIMUM BREAKDOWN VOLTAGE OF 500 Vrms.

FR# 77

FAIR-RITE PRODUCTS CORP.				
TITLE ASSEMBLED BOBBIN				
DRAWN BY D. FOOTE	DATE 7/8/2019	SIZE	PART NO.	REV.
CHKD BY		B	9677453508	~
APPRVD BY		SCALE	NONE	SHEET 1 of 1