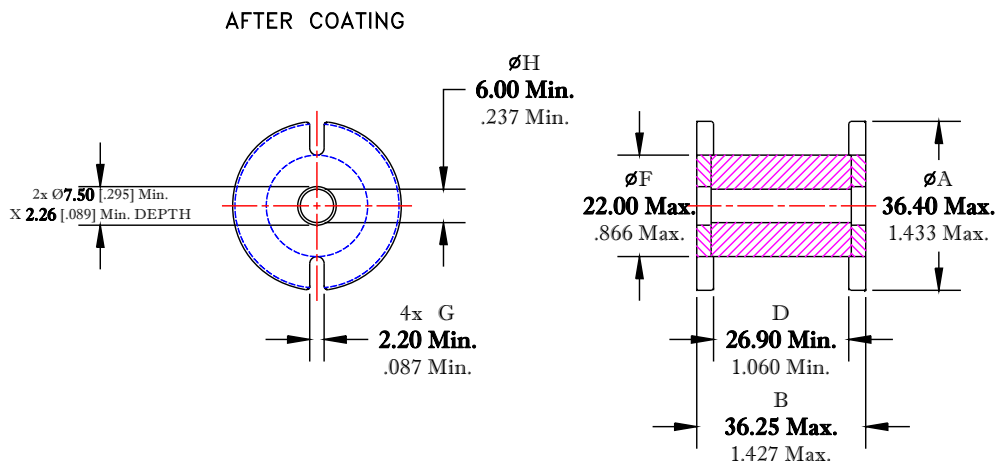


** Not all features are shown in this drawing. For more detailed information, please contact your Fair-Rite representative.

UNCONTROLLED ~CATALOG~ DRAWING

SIZE	PART NO.	REV.
B	9677353508	~



DIMENSIONS
BOLD NUMBERS ARE IN MILLIMETERS
 LIGHT NUMBERS ARE IN INCHES

$B_{Max.} - B_{Min.}$
 ≤ 0.50
 $\leq .020$

ELECTRICAL SPECIFICATIONS	
AL (nH) $\pm 10\%$	AL (nH) Min.
110	94 @ NI=700
AL VALUE MEASURED @ 1 kHz, 1 Volt WITH N=70 #16 AWG @ 23°C	

SEE SOP# ELC-33

NOTES:

- 1 - THIS PART TO BE THERMOSET PLASTIC COATED, USE APPROVED FR# 9677353509.
- 2 - COATED BOBBIN TO WITHSTAND A MINIMUM BREAKDOWN VOLTAGE OF 500 Vrms.
- 3 - COATING THICKNESS = 0.25mm [.010"] MAX.

FR# 77

FAIR-RITE PRODUCTS CORP.				
TITLE COATED BOBBIN				
DRAWN BY D. FOOTE	DATE 7/8/2019	SIZE B	PART NO. 9677353508	REV. ~
CHKD BY				
APPRVD BY		SCALE NONE	SHEET 1 of 1	