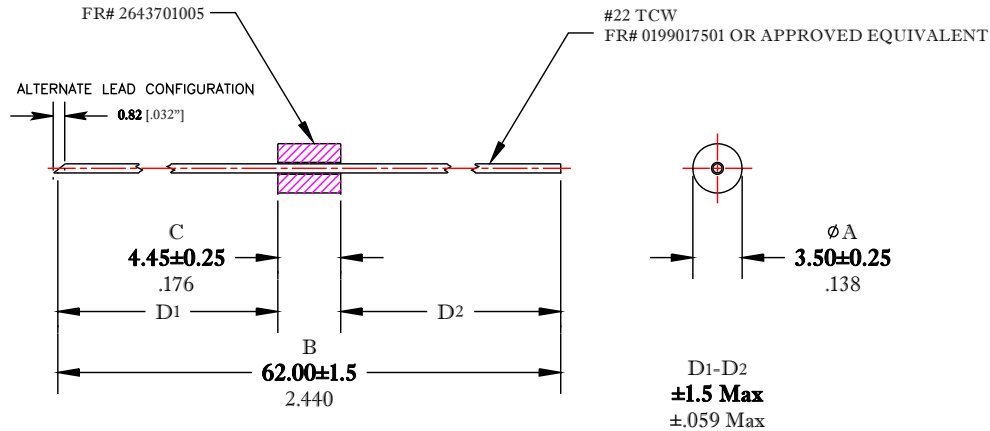


** Not all features are shown in this drawing. For more detailed information, please contact your Fair-Rite representative.

UNCONTROLLED ~CATALOG~ DRAWING

SIZE	PART NO.	REV.
B	2743001111	~



ELECTRICAL SPECIFICATIONS

IMPEDANCE (OHMS)			
HP4193A		E4991A [ALTERNATE]	
25 MHz	100 MHz	25 MHz	100 MHz
39 Min.	54.4 Min.	37 Min.	50.9 Min.
TRIM LEADS TO 25.4mm [1"]			

DIMENSIONS
BOLD NUMBERS ARE IN MILLIMETERS
 LIGHT NUMBERS ARE IN INCHES

NOTES:

- 1 - PARTS TO MEET FAIR-RITE PRODUCTS CORP. GENERIC VISUAL INSPECTION CRITERIA FOR SHIELD BEADS.
- 2 - IMPEDANCE MEASURED ON A HP4193A, USING AN 04193-87001 PROBE KIT. IMPEDANCE MAY ALSO BE MEASURED ON AN E4991A OR EQUIVALENT, AS AN ALTERNATE, USING A 16092A TEST FIXTURE.
- 3 - PART MEETS FAIR-RITE PRODUCTS CORP. SOP# ELC-55 SPECIFICATION FOR THERMAL SHOCK RESISTANCE.
- 4 - WIRE MEETS FAIR-RITE PRODUCTS CORP. SOP# ELC-57, SPECIFICATION FOR SOLDERABILITY.
- 5 - PART IS BULK PACKAGED: 250 PIECES/BAG, 40 BAGS/L1 = 10,000 PIECES/CARTON. PLACE ONE OXIDATION ARREST STRIP IN EACH BAG. ROLL & TAPE BAG CLOSED.

FR# 43

FAIR-RITE PRODUCTS CORP.				
TITLE BEAD-ON-LEAD ASSEMBLY				
DRAWN BY D. FOOTE	DATE 7/12/2019	SIZE B	PART NO. 2743001111	REV. ~
CHKD BY				
APPRVD BY		SCALE: NONE	SHEET 1 OF 1	