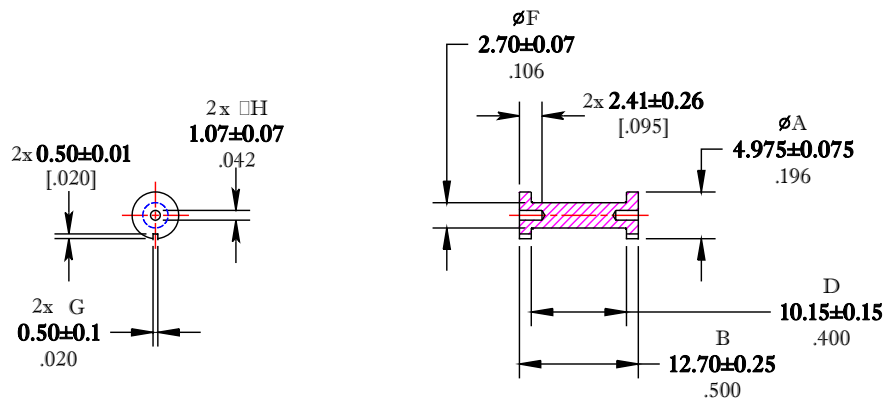


\*\* Not all features are shown in this drawing. For more detailed information, please contact your Fair-Rite representative.

UNCONTROLLED ~CATALOG~ DRAWING

SIZE	PART NO.	REV.
B	9643001165	~



DIMENSIONS  
**BOLD NUMBERS ARE IN MILLIMETERS**  
 LIGHT NUMBERS ARE IN INCHES

ELECTRICAL SPECIFICATIONS	
AL (nH) ±10%	AW (cm <sup>2</sup> )
17.5	0.12
AL VALUE MEASURED @ 1 kHz <10 gauss WITH N=30 #24 AWG @ 23°C	

NOTES:  
 1 - FLANGE THICKNESS TO BE WITHIN 0.40 mm [0.016"].

FR# 43

FAIR-RITE PRODUCTS CORP.				
TITLE PLUNGE GROUND BOBBIN				
DRAWN BY D. FOOTE	DATE 6/3/2019	SIZE B	PART NO. 9643001165	REV. ~
CHKD BY				
APPRVD BY		SCALE NONE	SHEET 1 of 1	