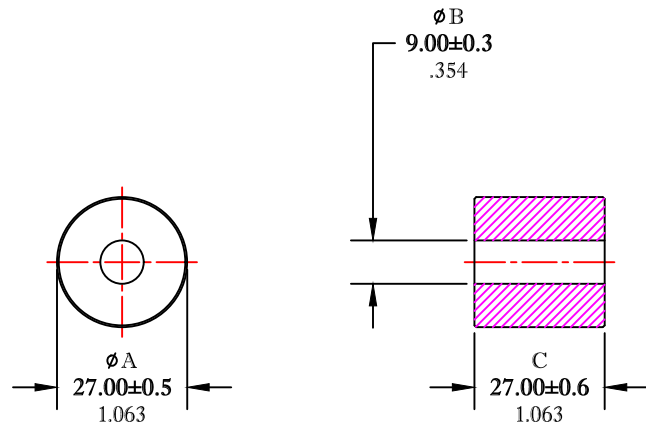


** Not all features are shown in this drawing. For more detailed information, please contact your Fair-Rite representative.

UNCONTROLLED ~CATALOG~ DRAWING

SIZE	PART NO.	REV.
B	4278453509	~



DIMENSIONS
BOLD NUMBERS ARE IN MILLIMETERS
 LIGHT NUMBERS ARE IN INCHES

ELECTRICAL SPECIFICATIONS						
$\Sigma l/A(\text{mm}^{-1})$	l_e (mm)	A_e (mm ²)	V_e (mm ³)	L_o (nH)	A_L (nH) @ 10kHz <10gauss	$\tan \delta/\mu$ @ 100kHz <1gauss
.21182	46.59	219.97	10248.8	5.933	13645±30%	≤20X10E-6

FAIR-RITE PRODUCTS CORP.						
TITLE HOLLOW ROD						
DRAWN BY J.SERENCICS	DATE 07-10-2018	SIZE B	PART NO. 4278453509	REV. ~		
CHKD BY					SCALE NONE	SHEET 1 of 1
APPRVD BY						

FR# 78