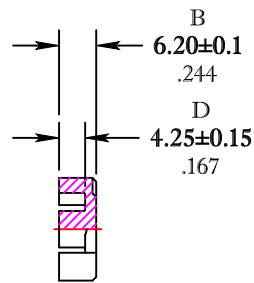
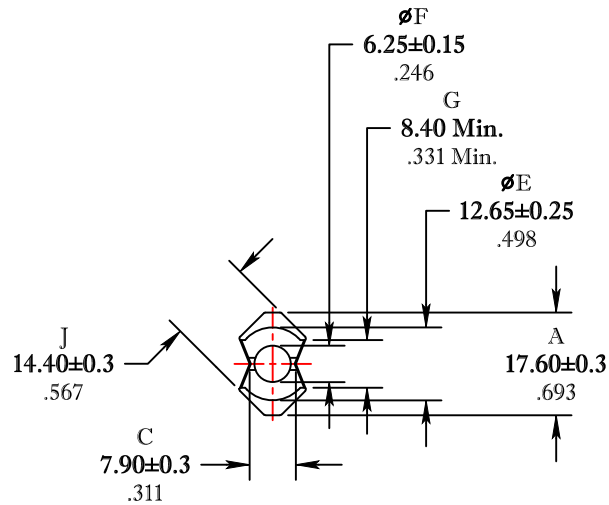


** Not all features are shown in this drawing. For more detailed information, please contact your Fair-Rite representative.

UNCONTROLLED ~CATALOG~ DRAWING

SIZE	PART NO.	REV.
B	6278180121	~



DIMENSIONS
BOLD NUMBERS ARE IN MILLIMETERS
 LIGHT NUMBERS ARE IN INCHES

ELECTRICAL SPECIFICATIONS					
$\Sigma l/A(\text{mm}^{-1})$	l_e (mm)	A_e (mm ²)	V_e (mm ³)	A_{MIN} (mm ²)	A_L (nH) @1kHz <10gauss
0.93	31.0	34.2	1060	31.2	2400±25%

POWER LOSS @ 100°C
 f=100kHz, 2000g P.L. < 0.72 Watts

FAIR-RITE PRODUCTS CORP.					
TITLE "RM" CORE					
DRAWN BY J.SERENCISCS	DATE 07-11-2018	SIZE B	PART NO. 6278180121	REV. ~	
CHKD BY					
APPRVD BY		SCALE NONE	SHEET 1 of 1		

FR# 78