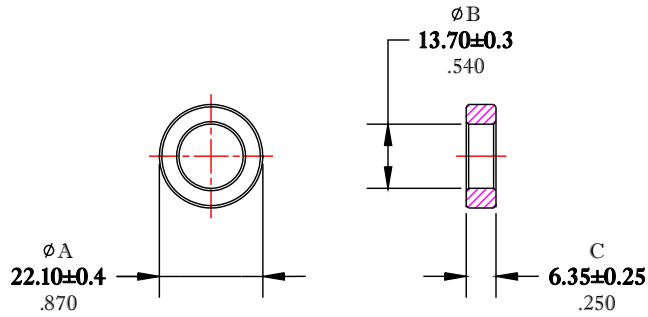


** Not all features are shown in this drawing. For more detailed information, please contact your Fair-Rite representative.

UNCONTROLLED ~CATALOG~ DRAWING

SIZE	PART NO.	REV.
B	5980001801	~



DIMENSIONS
BOLD NUMBERS ARE IN MILLIMETERS
 LIGHT NUMBERS ARE IN INCHES


ELECTRICAL SPECIFICATIONS						
$\Sigma l/A(\text{mm}^{-1})$	l_e (mm)	A_e (mm ²)	V_e (mm ³)	L_o (nH)	A_L (nH) @ 10 kHz <10gauss	$\tan \delta/\mu_i$ @ 1 MHz <1gauss
2.0747	54.2	26.1	1415	0.606	330±25%	≤20X10E-6

MEASURE & RECORD POWER LOSS
 @ 25°C. f=1 MHz/500g., f=3 MHz/200g.

NOTES:

1 - BURNISH TO BREAK SHARP EDGES.

FR# 80

 FAIR-RITE PRODUCTS CORP.						
TITLE TOROID						
DRAWN BY J.SERENCSICS	DATE 07-18-2018	SIZE	PART NO.	REV.		
CHKD BY		B	5980001801	~		
APPRVD BY		SCALE	NONE	SHEET	1 of 1	