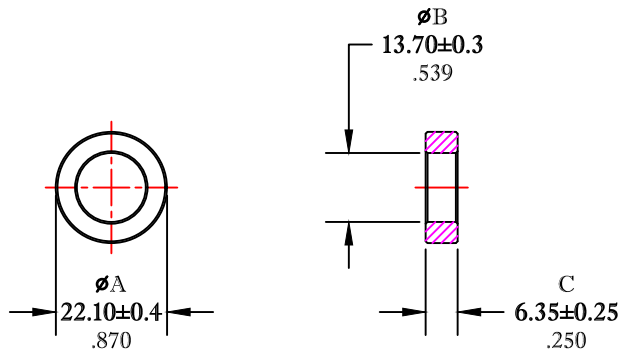


\*\* Not all features are shown in this drawing. For more detailed information, please contact your Fair-Rite representative.

UNCONTROLLED ~CATALOG~ DRAWING

SIZE	PART NO.	REV.
B	5975001801	~



DIMENSIONS  
**BOLD NUMBERS ARE IN MILLIMETERS**  
 LIGHT NUMBERS ARE IN INCHES

ELECTRICAL SPECIFICATIONS						
$\Sigma l/A(\text{mm}^{-1})$	$l_e$ (mm)	$A_e$ (mm <sup>2</sup> )	$V_e$ (mm <sup>3</sup> )	$L_o$ (nH)	$A_L$ (nH) @10kHz <10gauss	$\tan \delta/\mu_1$ @100 kHz <1gauss
2.0692	54.2	26.2	1416	0.607	3025±20%	≤20X10E-6

NOTES:  
 1 - BURNISH TO BREAK SHARP EDGES.

FR# 75

<b>FAIR-RITE PRODUCTS CORP.</b>						
TITLE TOROID						
DRAWN BY J.SERENCSICS	DATE 07-17-2018	SIZE B	PART NO. 5975001801		REV. ~	
CHKD BY						
APPRVD BY		SCALE	NONE	SHEET	1 of 1	