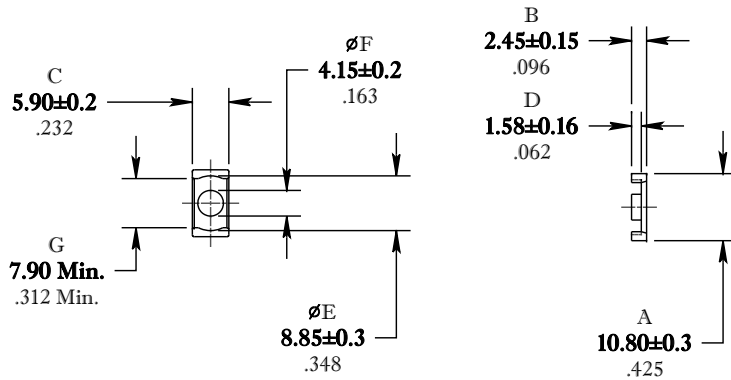


** Not all features are shown in this drawing. For more detailed information, please contact your Fair-Rite representative.

UNCONTROLLED ~CATALOG~ DRAWING

SIZE	PART NO.	REV.
B	9598110502	~



DIMENSIONS
BOLD NUMBERS ARE IN MILLIMETERS
 LIGHT NUMBERS ARE IN INCHES

ELECTRICAL SPECIFICATIONS					
$\Sigma l/A(\text{mm}^{-1})$	l_e (mm)	A_e (mm ²)	A_{MIN} (mm ²)	V_e (mm ³)	AL (nH) @ 1 kHz <10 gauss
1.12	14.0	12.6	10.3	177	1250±25%
MATE PAIR; CLAMPING FORCE = 2 lbs.					

POWER LOSS @ 100°C
 $f = 100\text{kHz}, 2000\text{g P.L.} < 0.085 \text{ Watts}$

FR# 98

FAIR-RITE PRODUCTS CORP.					
TITLE "ER" CORE					
DRAWN BY J.SERENCIS	DATE 07-12-2018	SIZE	PART NO.	REV.	
CHKD BY		B	9598110502	~	
APPRVD BY		SCALE	NONE	SHEET 1 of 1	