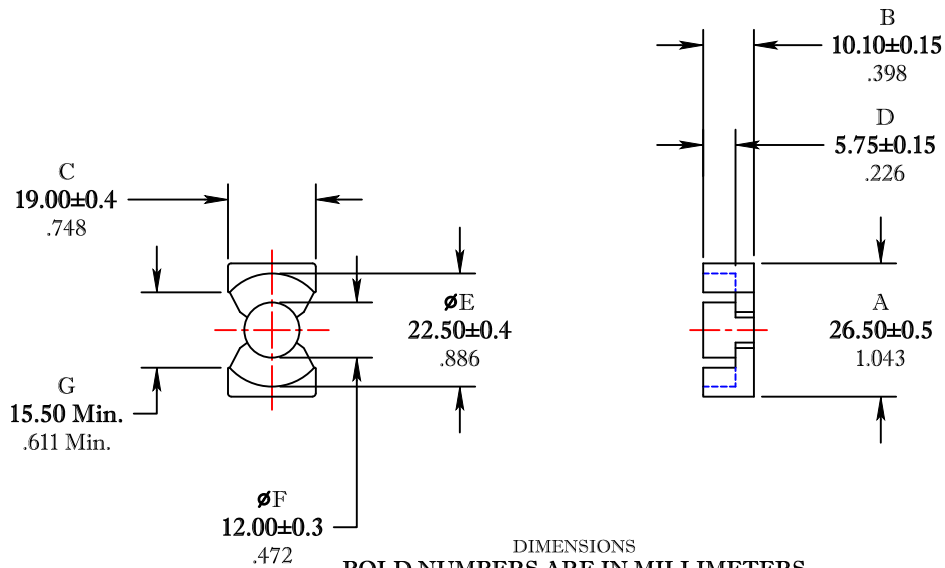


** Not all features are shown in this drawing. For more detailed information, please contact your Fair-Rite representative.

UNCONTROLLED ~CATALOG~ DRAWING

SIZE	PART NO.	REV.
B	6695272021	~



DIMENSIONS
BOLD NUMBERS ARE IN MILLIMETERS
 LIGHT NUMBERS ARE IN INCHES

ELECTRICAL SPECIFICATIONS					
$\Sigma l/A(\text{cm}^{-1})$	$l_e(\text{cm})$	$A_e(\text{cm}^2)$	$V_e(\text{cm}^3)$	$A_{\text{MIN}}(\text{cm}^2)$	$A_L(\text{nH})$ @ 1 kHz < 10 gauss
3.72	4.48	1.20	5.39	1.13	6500±25%
MATE PAIR; CLAMPING FORCE = 5 lbs.					

POWER LOSS @ 25°C

f = 100kHz, 2000g P.L. ≤ 3.10 Watts

POWER LOSS @ 100°C

f = 100kHz, 2000g P.L. ≤ 3.10 Watts

FAIR-RITE PRODUCTS CORP.					
TITLE PQ CORE					
DRAWN BY J.SERENCIS	DATE 07-11-2018	SIZE B	PART NO. 6695272021	REV. ~	
CHKD BY					
APPRVD BY		SCALE	NONE	SHEET 1 of 1	

FR# 95