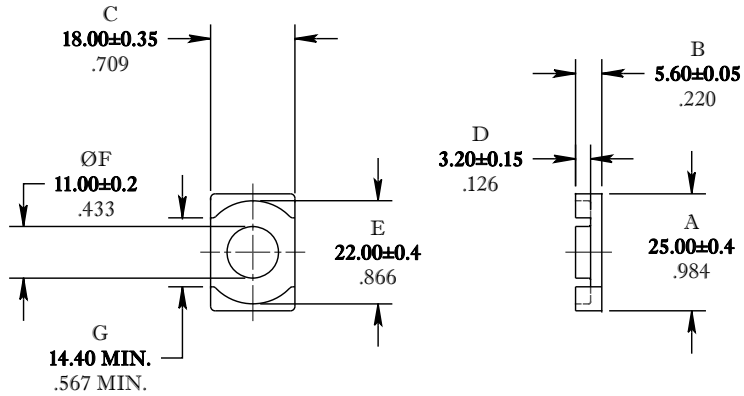


\*\* Not all features are shown in this drawing. For more detailed information, please contact your Fair-Rite representative.

UNCONTROLLED ~CATALOG~ DRAWING

SIZE	PART NO.	REV.
B	9580250602	~




ELECTRICAL SPECIFICATIONS						
$\Sigma l/A(\text{mm}^{-1})$	$l_e$ (mm)	$A_e$ (mm <sup>2</sup> )	$A_{\text{Min}}$ (mm <sup>2</sup> )	$V_e$ (mm <sup>3</sup> )	$A_L$ (nH) @10 kHz <10gauss	$\tan \delta/\mu_i$ @ 1 MHz <1gauss
0.352	32.8	93.3	82.8	3060	1800±25%	≤20X10E-6

MATE PAIR: CLAMPING FORCE = 10 lbs.

MEASURE & RECORD POWER LOSS  
 @ 25°C. f=1 MHz/500g., f=3 MHz/150g.

DIMENSIONS  
**BOLD NUMBERS ARE IN MILLIMETERS**  
 LIGHT NUMBERS ARE IN INCHES

FR# 80

 <b>FAIR-RITE PRODUCTS CORP.</b>						
TITLE "EQ" CORE						
DRAWN BY D. FOOTE	DATE 3/19/2019	SIZE	PART NO.			REV.
CHKD BY		B	9580250602			~
APPRVD BY		SCALE	NONE	SHEET	1 of 1	