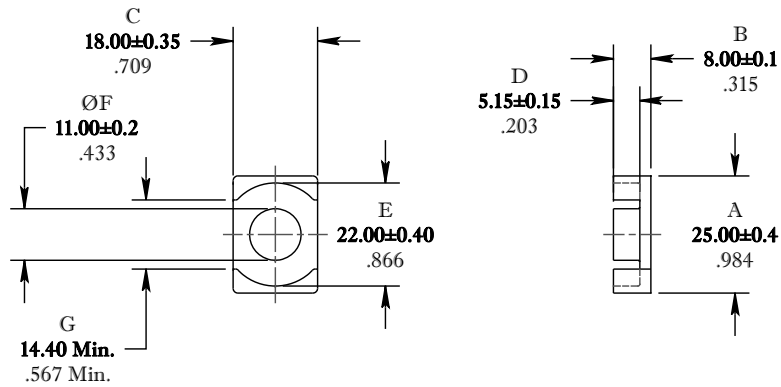


\*\* Not all features are shown in this drawing. For more detailed information, please contact your Fair-Rite representative.

SIZE	PART NO.	REV.
B	9579250802	~

UNCONTROLLED ~CATALOG~ DRAWING



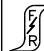
ELECTRICAL SPECIFICATIONS						
$\Sigma l/A(\text{mm}^{-1})$	$l_e$ (mm)	$A_e$ (mm <sup>2</sup> )	$A_{\text{Min}}$ (mm <sup>2</sup> )	$V_e$ (mm <sup>3</sup> )	$A_L$ (nH) @ 10kHz <10gauss	$\tan \delta/\mu_i$ @ 500kHz <1gauss
0.415	41.5	100	95	4150	3100±25%	≤15X10E-6
MATE PAIR: CLAMPING FORCE = 10 lbs.						

POWER LOSS @ 100°C

f = 500 kHz, 500g P.L. < 0.55 Watts

DIMENSIONS  
**BOLD NUMBERS ARE IN MILLIMETERS**  
 LIGHT NUMBERS ARE IN INCHES

FR# 79

 <b>FAIR-RITE PRODUCTS CORP.</b>						
TITLE "EQ" CORE						
DRAWN BY D. FOOTE	DATE 3/19/2019	SIZE	PART NO.	REV.		
CHKD BY		B	9579250802	~		
APPRVD BY		SCALE	NONE	SHEET	1 of 1	