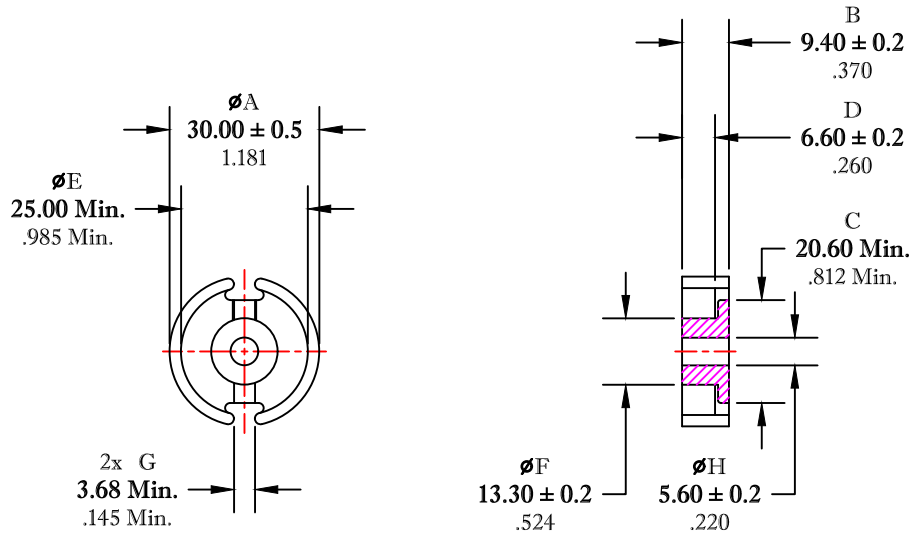


** Not all features are shown in this drawing. For more detailed information, please contact your Fair-Rite representative.

UNCONTROLLED ~CATALOG~ DRAWING

SIZE	PART NO.	REV.
B	5698302021	~



DIMENSIONS
BOLD NUMBERS ARE IN MILLIMETERS
 LIGHT NUMBERS ARE IN INCHES

ELECTRICAL SPECIFICATIONS					
$\Sigma l/A(\text{cm}^{-1})$	l_e (cm)	A_e (cm ²)	V_e (cm ³)	A_{MIN} (cm ²)	A_L (nH) @1kHz <10gauss
3.56	4.53	1.27	5.75	1.14	5800±25%
MATE PAIR; CLAMPING FORCE = 22 lbs.					

POWER LOSS @ 100°C
 f = 100kHz, 2000g P.L. < 2.8 Watts

FAIR-RITE PRODUCTS CORP.
 TITLE 30mm X 19mm POT CORE

DRAWN BY J.SERENCISCS	DATE 12-19-2018	SIZE	PART NO.	REV.
CHKD BY		B	5698302021	~
APPRVD BY		SCALE	NONE	SHEET 1 of 1

FR# 98