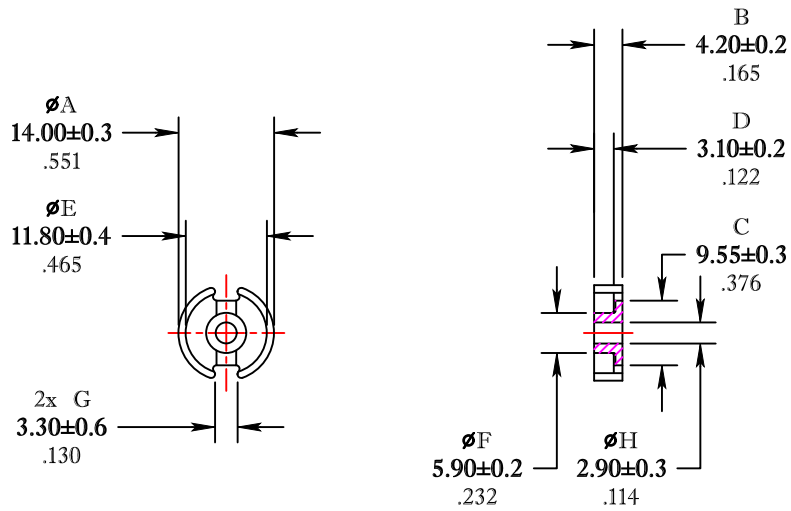


** Not all features are shown in this drawing. For more detailed information, please contact your Fair-Rite representative.

UNCONTROLLED ~CATALOG~ DRAWING

SIZE	PART NO.	REV.
B	5678140921	~



DIMENSIONS
BOLD NUMBERS ARE IN MILLIMETERS
 LIGHT NUMBERS ARE IN INCHES

ELECTRICAL SPECIFICATIONS					
$\Sigma l/A(\text{cm}^{-1})$	$l_e(\text{cm})$	$A_e(\text{cm}^2)$	$V_e(\text{cm}^3)$	$A_{\text{MIN}}(\text{cm}^2)$	$A_L(\text{nH})$ @1kHz <10gauss
7.9	1.98	0.251	0.495	0.198	1950 ± 25%
MATE PAIR; CLAMPING FORCE = 5 lbs.					

POWER LOSS @ 100°C
 $f=100\text{kHz}$, 2000g P.L. < 0.28 Watts

FAIR-RITE PRODUCTS CORP.					
TITLE POT CORE					
DRAWN BY J.SERENCSCS	DATE 07-16-2018	SIZE B	PART NO. 5678140921	REV. ~	
CHKD BY					
APPRVD BY		SCALE NONE	SHEET 1 of 1		

FR# 78