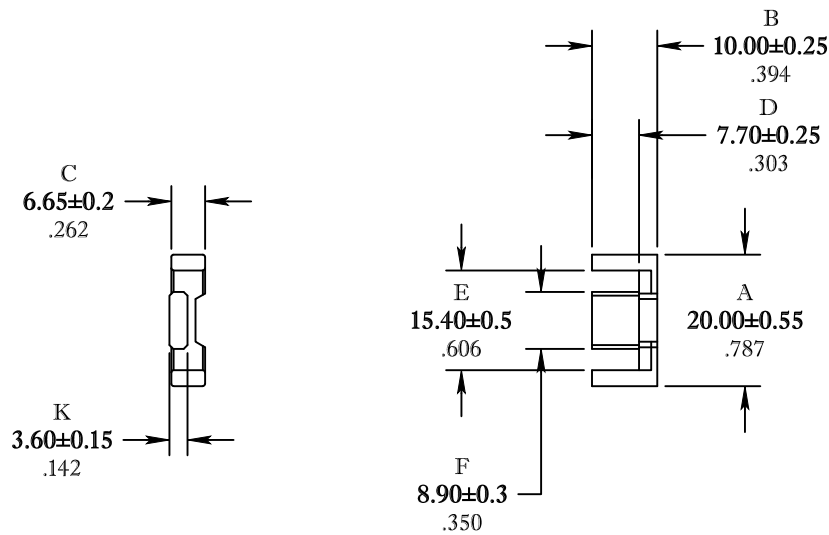


** Not all features are shown in this drawing. For more detailed information, please contact your Fair-Rite representative.

UNCONTROLLED ~CATALOG~ DRAWING

| | | |
|------|------------|------|
| SIZE | PART NO. | REV. |
| B | 8998202021 | ~ |



DIMENSIONS
BOLD NUMBERS ARE IN MILLIMETERS
 LIGHT NUMBERS ARE IN INCHES

| ELECTRICAL SPECIFICATIONS | | | | | |
|-------------------------------------|------------|--------------------------|--------------------------|-------------------------------------|------------------------------------|
| $\Sigma l/A(\text{mm}^{-1})$ | l_e (mm) | A_e (mm ²) | V_e (mm ³) | A_{MIN} (mm ²) | A_L (nH) @ 1 kHz <10 gauss |
| 1.56 | 47.4 | 31 | 1440 | 29 | 1200±25% |
| MATE PAIR; CLAMPING FORCE = 10 lbs. | | | | | |

POWER LOSS @ 100°C
 f=100kHz, 2000g P.L. < 0.80 Watts

| | | | | | |
|---------------------------------|--------------------|-------|------------|--------------|--|
| FAIR-RITE PRODUCTS CORP. | | | | | |
| TITLE | | | | | |
| EFD CORE | | | | | |
| DRAWN BY J.SERENCIS | DATE 07-13-2018 | SIZE | PART NO. | REV. | |
| CHKD BY | | B | 8998202021 | ~ | |
| APPRVD BY | | SCALE | NONE | SHEET 1 of 1 | |

FR# 98