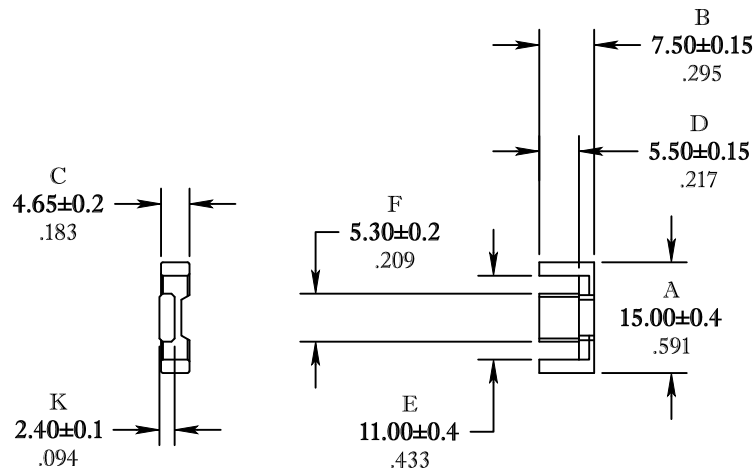


\*\* Not all features are shown in this drawing. For more detailed information, please contact your Fair-Rite representative.

UNCONTROLLED ~CATALOG~ DRAWING

SIZE	PART NO.	REV.
B	8998151521	~



DIMENSIONS  
**BOLD NUMBERS ARE IN MILLIMETERS**  
 LIGHT NUMBERS ARE IN INCHES

ELECTRICAL SPECIFICATIONS					
$\Sigma l/A(\text{mm}^{-1})$	$l_e(\text{mm})$	$A_e(\text{mm}^2)$	$V_e(\text{mm}^3)$	$A_{\text{MIN}}(\text{mm}^2)$	AL (nH) @ 1 kHz <10 gauss
2.23	34.4	15.4	531	12.7	910±25%
MATE PAIR; CLAMPING FORCE = 10 lbs.					

POWER LOSS @ 100°C  
 f=100kHz, 2000g P.L. <.18 Watts

<b>FAIR-RITE PRODUCTS CORP.</b>					
TITLE					
EFD CORE					
DRAWN BY J.SERENCIS	DATE 07-13-2018	SIZE	PART NO.	REV.	
CHKD BY		B	8998151521	~	
APPRVD BY		SCALE	NONE	SHEET 1 of 1	

FR# 98