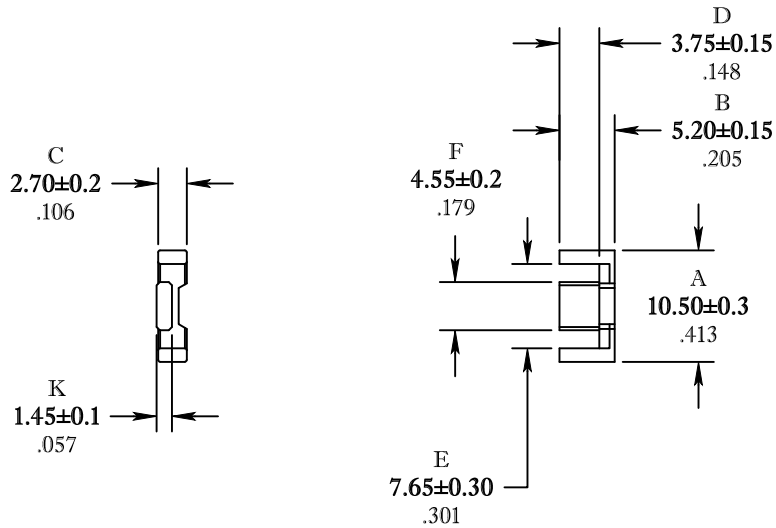


** Not all features are shown in this drawing. For more detailed information, please contact your Fair-Rite representative.

UNCONTROLLED ~CATALOG~ DRAWING

SIZE	PART NO.	REV.
B	8998101021	~



DIMENSIONS
BOLD NUMBERS ARE IN MILLIMETERS
 LIGHT NUMBERS ARE IN INCHES

ELECTRICAL SPECIFICATIONS					
$\Sigma l/A(\text{mm}^{-1})$	$l_e(\text{mm})$	$A_e(\text{mm}^2)$	$V_e(\text{mm}^3)$	$A_{\text{MIN}}(\text{mm}^2)$	$A_L(\text{nH})$ @ 1 kHz <10 gauss
3.27	23.6	7.23	171	6.6	540±25%
MATE PAIR; CLAMPING FORCE = 10 lbs.					

POWER LOSS @ 100°C
 f=100kHz, 2000g P.L. <.07 Watts

FAIR-RITE PRODUCTS CORP.					
TITLE					
EFD CORE					
DRAWN BY J.SERENCIS	DATE 07-13-2018	SIZE	PART NO.	REV.	
CHKD BY		B	8998101021	~	
APPRVD BY		SCALE	NONE	SHEET 1 of 1	

FR# 98