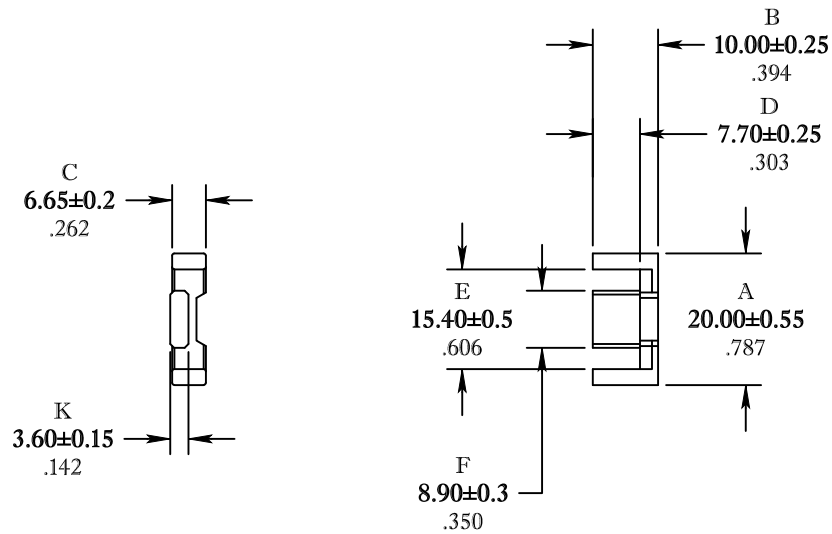


** Not all features are shown in this drawing. For more detailed information, please contact your Fair-Rite representative.

UNCONTROLLED ~CATALOG~ DRAWING

SIZE	PART NO.	REV.
B	8995202021	~



DIMENSIONS
BOLD NUMBERS ARE IN MILLIMETERS
 LIGHT NUMBERS ARE IN INCHES

ELECTRICAL SPECIFICATIONS					
$\Sigma l/A(\text{mm}^{-1})$	l_e (mm)	A_e (mm ²)	V_e (mm ³)	A_{MIN} (mm ²)	A_L (nH) @ 1 kHz <10 gauss
1.56	47.4	31	1440	29	1400±25%
MATE PAIR; CLAMPING FORCE = 10 lbs.					

POWER LOSS @ 25°C
 f=100kHz, 2000g P.L. < .82 Watts

POWER LOSS @ 100°C
 f=100kHz, 2000g P.L. < .82 Watts

FAIR-RITE PRODUCTS CORP.					
TITLE					
EFD CORE					
DRAWN BY J.SERENCICS	DATE 07-13-2018	SIZE	PART NO.	REV.	
CHKD BY		B	8995202021	~	
APPRVD BY		SCALE	NONE	SHEET 1 of 1	

FR# 95