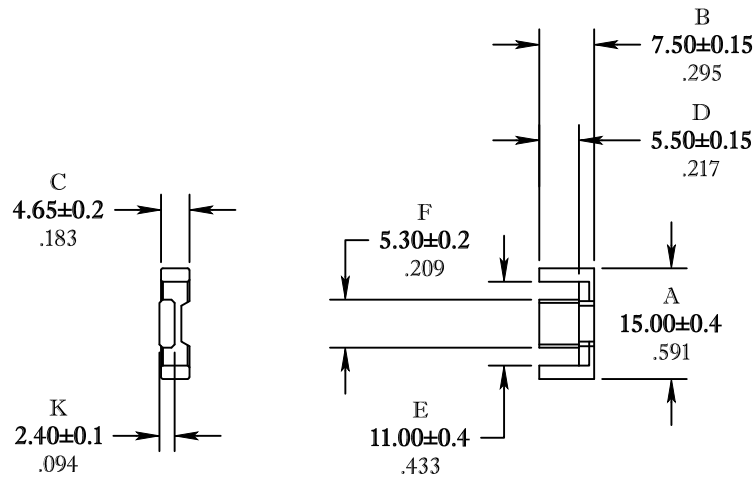


\*\* Not all features are shown in this drawing. For more detailed information, please contact your Fair-Rite representative.

UNCONTROLLED ~CATALOG~ DRAWING

SIZE	PART NO.	REV.
B	8995151521	~




DIMENSIONS  
**BOLD NUMBERS ARE IN MILLIMETERS**  
 LIGHT NUMBERS ARE IN INCHES

ELECTRICAL SPECIFICATIONS					
$\Sigma l/A(\text{mm}^{-1})$	$l_e$ (mm)	$A_e$ (mm <sup>2</sup> )	$V_e$ (mm <sup>3</sup> )	$A_{\text{MIN}}$ (mm <sup>2</sup> )	$A_L$ (nH) @ 1 kHz <10 gauss
2.23	34.4	15.4	531	12.7	1050±25%
MATE PAIR; CLAMPING FORCE = 10 lbs.					

POWER LOSS @ 25°C  
 f=100kHz, 2000g P.L. < .26 Watts

POWER LOSS @ 100°C  
 f=100kHz, 2000g P.L. < .24 Watts

 <b>FAIR-RITE PRODUCTS CORP.</b>					
TITLE EFD CORE					
DRAWN BY J.SERENCIS	DATE 07-13-2018	SIZE B	PART NO. 8995151521	REV. ~	
CHKD BY		SCALE NONE		SHEET 1 of 1	
APPRVD BY					

FR# 95