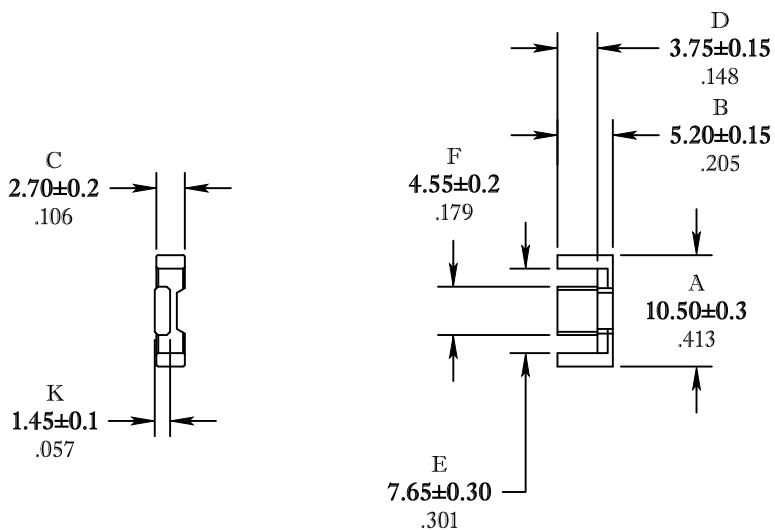


** Not all features are shown in this drawing. For more detailed information, please contact your Fair-Rite representative.

UNCONTROLLED ~CATALOG~ DRAWING

SIZE	PART NO.	REV.
B	8995101021	~



DIMENSIONS
BOLD NUMBERS ARE IN MILLIMETERS
 LIGHT NUMBERS ARE IN INCHES

ELECTRICAL SPECIFICATIONS					
$\Sigma l/A(\text{mm}^{-1})$	l_e (mm)	A_e (mm ²)	V_e (mm ³)	$A_{\text{MIN}}(\text{mm}^2)$	A_L (nH) @ 1 kHz <10 gauss
3.27	23.6	7.23	171	6.6	610±25%
MATE PAIR; CLAMPING FORCE = 10 lbs.					

POWER LOSS @ 25°C
 f=100kHz, 2000g P.L. <0.09 Watts

POWER LOSS @ 100°C
 f=100kHz, 2000g P.L. <0.09 Watts

FAIR-RITE PRODUCTS CORP.					
TITLE					
EFD CORE					
DRAWN BY	DATE	SIZE	PART NO.	REV.	
J.SERENCIS	07-13-2018	B	8995101021	~	
CHKD BY		SCALE NONE		SHEET 1 of 1	
APPRVD BY					

FR# 95