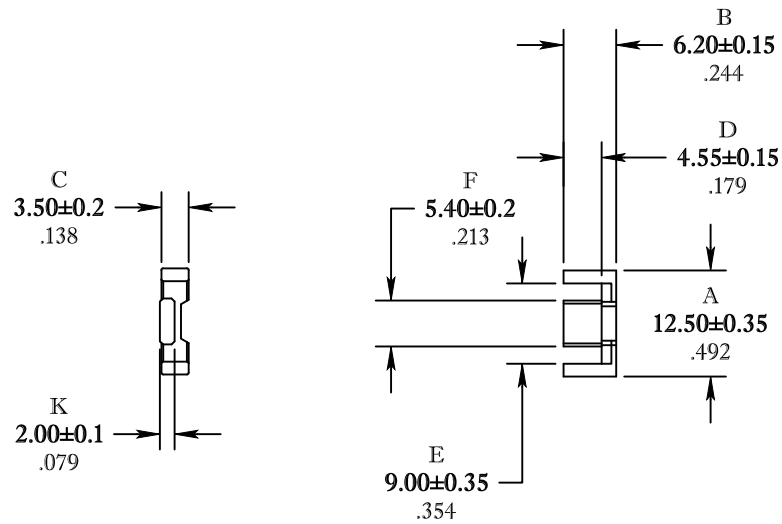


** Not all features are shown in this drawing. For more detailed information, please contact your Fair-Rite representative.

UNCONTROLLED ~CATALOG~ DRAWING

SIZE	PART NO.	REV.
B	8978121221	~




DIMENSIONS
BOLD NUMBERS ARE IN MILLIMETERS
 LIGHT NUMBERS ARE IN INCHES

ELECTRICAL SPECIFICATIONS					
$\Sigma l/A(\text{mm}^{-1})$	l_e (mm)	A_e (mm ²)	V_e (mm ³)	A_{MIN} (mm ²)	A_L (nH) @ 1 kHz <10 gauss
2.59	28.4	11	311	10.8	710±25%
MATE PAIR; CLAMPING FORCE = 10 lbs.					

POWER LOSS @ 100°C
 f=100kHz, 2000g P.L. <.17 Watts

FR# 78

 FAIR-RITE PRODUCTS CORP.					
TITLE EFD CORE					
DRAWN BY J.SERENCIS	DATE 07-13-2018	SIZE B	PART NO. 8978121221	REV. ~	
CHKD BY					
APPRVD BY		SCALE NONE	SHEET 1 of 1		