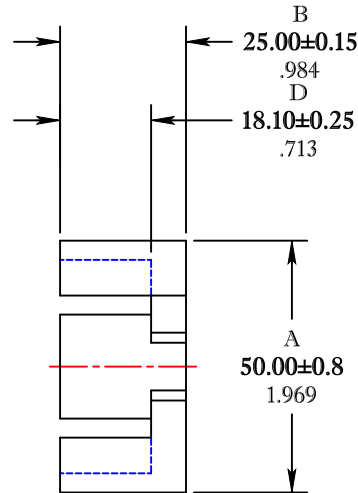
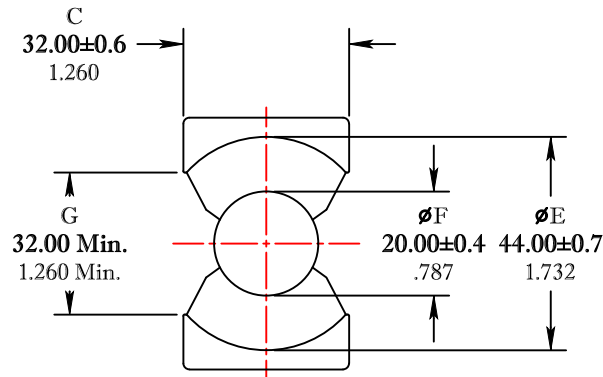


** Not all features are shown in this drawing. For more detailed information, please contact your Fair-Rite representative.

UNCONTROLLED ~CATALOG~ DRAWING

SIZE	PART NO.	REV.
B	6695505021	~



DIMENSIONS
BOLD NUMBERS ARE IN MILLIMETERS
 LIGHT NUMBERS ARE IN INCHES

ELECTRICAL SPECIFICATIONS					
$\Sigma l/A(\text{cm}^{-1})$	$l_e(\text{cm})$	$A_e(\text{cm}^2)$	$V_e(\text{cm}^3)$	$A_{\text{MIN}}(\text{cm}^2)$	$A_L(\text{nH})$ @ 1 kHz < 10 gauss
3.59	11.5	3.19	36.6	3.14	8000±25%
MATE PAIR; CLAMPING FORCE = 10 lbs.					

POWER LOSS @ 25°C

f = 100kHz, 2000g P.L. ≤ 21 Watts

POWER LOSS @ 100°C

f = 100kHz, 2000g P.L. ≤ 19.5 Watts

FAIR-RITE PRODUCTS CORP.					
TITLE					
PQ CORE					
DRAWN BY	DATE	SIZE	PART NO.	REV.	
J.SERENCISCS	07-11-2018	B	6695505021	~	
CHKD BY					
APPRVD BY		SCALE	NONE	SHEET 1 of 1	

FR# 95